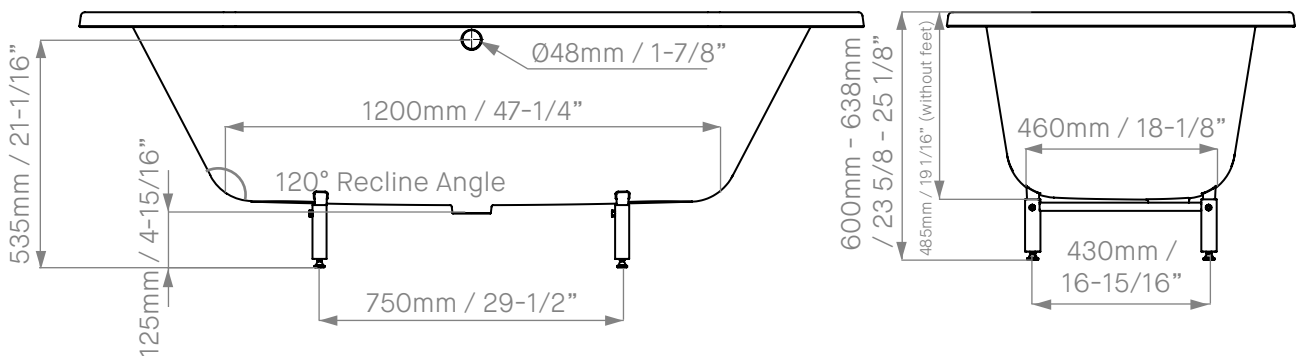


* A = Approximate distance to Floor Standing Bath Filler

DAD1683	Leawood Floor Standing Bath & Shower Mixer	295mm	11-5/8"
DAD1741	Mull Bath & Shower Mixer with Floor Standing Legs	290mm	11-7/16"
DAD1745	Coll Bath and Shower Mixer with Floor Standing Legs	290mm	11-7/16"
DAD1840	Chessleton Floor Standing Bath & Shower Mixer	290mm	11-7/16"
DAD1858, DAD1859	Bestwood Floor Standing Bath & Shower Mixer	290mm	11-7/16"
DAD1882	Bibury Floor Standing Bath & Shower Mixer	275mm	10-13/16"

* B = Centre of Waste Hole to Overflow Hole, approximately 260mm / 10-1/4"



Raw Bath Exterior

Weight	187 kg	425 lbs
Capacity	280 litres	74 gal
Total Weight (Inc Water)	467 kg	1029 lbs

Please Note: Due to the handmade process, size & weight can vary up to 5%

TAKING DELIVERY OF YOUR PRODUCTS

- Sign for delivery confirming the number of pallets/boxes received.
- Open boxes and crates checking that all components are included, in accordance with product drawing and delivery note.
- Check for any damage to the products that may have occurred during transportation. If there is any visible sign of damage to the crate/shipping packaging, please follow these steps:
 - I. Sign for the goods as damaged
 - II. Take pictures of the goods/damage whilst on the delivery vehicle and after unloading.
 - III. Please keep all packaging intact as this may be required for part of the claims process.
- In accordance with our terms and conditions, report in writing, any damage, or missing products within 3 working days of delivery.

PROTECTING YOUR PRODUCTS ON SITE

- Baths should be removed from their wooden crate and stored in a clean environment at normal room temperature.
- Keep the protective cover over the bath to keep it dust free and to protect the interior.
- Do not attach any tape to the interior of the bath.
- Please follow the care instructions if you need to clean the products, being careful not to use any abrasive or chemical cleaners.

LIFTING AND MOVING BATHS

- Our baths weigh between 140 - 245kg (excluding the packaging).
- You will need to ensure that you have sufficient people on site to help move the bath inside. we would recommend a minimum of 4 people to move the bath.
- Please consider access to the property - any steps up to the front door, distance from the kerbside and any restrictive pathways or gates to the property.

PREPARING FOR INSTALLATION

- All water fittings should be installed by a qualified plumbing engineer and comply with the current water regulations. Products and connections should remain accessible for routine maintenance. We recommend that isolation and non-return valves are fitted in all installations where appropriate.
- Please read and follow the installation instructions carefully for each product and check that you have all the components and tools required to carry out correct installation.
- Take all necessary precautions to ensure that all parts are properly protected during and after installation.
- Polished and plated surfaces are particularly prone to damage from dirty and incorrect tools; spanners should be suitably lined to prevent damage to plated surfaces.
- When using a sealant, only a suitable neutral curing sealant should be used. Silicone should not be used to seal baths to the floor.
- After installation, please ensure that the product is operating correctly and is clean (in accordance with the Care & Maintenance instructions below) and protected until completion of all works in the property.

YOUR CHOSEN FINISH

- A build-up of limescale is inevitable on all water fittings. For hard water areas, we recommend fitting a suitable water treatment device.
- Limescale build up can cause the enamel to dull and feel rough. To prevent this, we strongly recommend rinsing and drying the bath after every use.
- Polished Exterior - The raw cast iron is hand polished to reveal the natural pitting on the exterior of the bath. This pitting (dark / black areas) is completely natural and will vary, making each bath unique.
- Raw Exterior - The exterior is left untouched following the casting process, leaving a naturally rough surface. The iron is then coated with a black, rust inhibiting finish.
- Primed & Painted Exterior - The exterior is smoothed down and a coat of primer applied, If you have chosen a painted bath, the final coat of your specified colour will be applied.
- Stone Composite (Coln Baths) - A unique composite material consisting of natural minerals charges and polymers, creating a compact, non porous material with a velvety finish, like natural stone.

TAPS & FILLERS

- Refer to the technical drawing on page 1 for the first fix position of the tap feeds.
- For additional information on bath taps, please refer to the product manual.

BATH WASTE

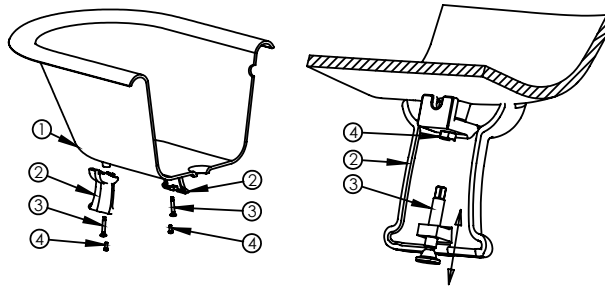
- Baths with feet are compatible with all Drummonds Waste units.
- Refer to the technical drawing on page 1 for first fix position of the waste pipe.
- Please refer to the bath waste manual for further information.

FLOOR STRUCTURE

- Waste fittings can be above or below the floor for any bath with feet.
- Concrete Floors: If you are installing onto a concrete floor there are a few options:
 - i. Channel the pipework into the concrete, preset the pipes into the floor (depending on the stage of building work).
 - ii. Or, raise the bath on a plinth.
- Other Floors: Please refer to the bath waste manual to ensure that the floor void is sufficient for installation. The waste should ideally be fitted whilst access under the floor is still possible. You may want to consider a flexible connection to the waste.
- Above the Floor: Please refer to the bath waste and overflow manual.

INSTALLING FEET

#	NAME	QTY
01	Bath	1
02	Feet	4
03	Levelling Bolt	4
04	Bolt M10 x 25	4



- I. A clear area must be prepared with a protective surface in order to fit the bath feet. Begin by removing the bath and feet from the wooden crate and place the bath (1) face down upon the protective surface. Using the diagrams above attach the feet to the bath.
- II. The feet are individually numbered to match its specific position on the bath. Attach the feet (2) to the bath with bolts (4) as per the diagram ensuring that the feet are secure. Attach the levelling bolt (3).
- III. Turn the bath over but take care not to place strain on any of the feet until the bath is ready to be lowered down onto all four feet equally.
- IV. Use the levelling bolts to set the bath level, please note, the bath must be set so that no water remains in the bath once drained.
- V. Place the bath in the required position to enable positions to be marked for supply and waste pipes.
- VI. Remove the bath to a safe area where the bath will not be damaged and make provision for the connections required for installation.
- VII. Reinstall the bath and attach products as required, instructions are supplied separately.

WEIGHT

- For details of the bath weight, please refer to the technical drawing on page 1 of this document.
- The weight of the skirted baths is evenly distributed across the skirt and is suitable for most properties.
- If you have any concerns regarding the weight of the bath, please consult your builder or structural engineer.

POST INSTALLATION INSTRUCTIONS

- After installation is complete, run the system to check for any leaks.
- Leave all surfaces and products clean, dry, and well protected until all work is completed on site.

CARE AND MAINTENANCE

DAD1011

A Drummonds' Bathroom product is designed to give you years of faultless service and, if you follow the instructions below, will continue to look stunning for many years to come. All of Drummonds' Bathroom products are guaranteed for 1 year from the date of purchase against manufacturing defects. The guarantee does not cover faults caused by incorrect installation, neglect, misuse, wear & tear, inappropriate cleaning, or damage caused by the build-up of limescale. Please see Drummonds' T&Cs for further details of the product guarantee.

GENERAL USE

To help prevent limescale build up and water marks, all surfaces should be wiped dry after use. Only mild, nonabrasive cleaning products should be used followed by rinsing and drying with a soft cloth.

POLISHED BRASS PRODUCTS

All of Drummonds taps and fittings are made from 100% brass, which can be supplied in a polished finish that is not lacquered. Polished brass will tarnish very quickly, especially in the bathroom where it is exposed to moisture. If you wish to maintain a shiny brass finish, regular polishing with an appropriate metal polish such as Brasso will be required.

POLISHED CHROME AND NICKEL PRODUCTS

Wipe off any water marks after use with a soft cloth or towel. Clean on a regular basis with a mild non-abrasive bathroom cleaner, again taking care to dry the product with a soft cloth or towel. For stubborn stains, particularly in hard water areas, remove with Brasso. Nickel products will require periodic polishing with Brasso, otherwise they will develop an aged patina like silverware.

SHOWER HEADS AND ROSES

Clean and descale on a regular basis, paying particular attention to the holes in the shower head to ensure that they do not become blocked. Remove and clean the thermostatic cartridge on a periodic basis to prevent permanent damage from limescale.

CAST IRON BATHS AND SHOWER TRAYS

The interior of a Drummonds bath or shower tray is enamelled with dry frit vitreous enamel which is very hard wearing and durable. To maintain the soft shine on the surface of the enamel rinse the bath out after each use, making sure that you get rid of any gritty deposits, and then dry it with a soft cloth or towel. To remove marks or dirt use a non-abrasive bathroom cleaner which is safe for use on enamelled surfaces (please see the Vitreous Enamel Association website for guidance on suitable cleaners www.vea.org.uk). It is very important to ensure that a dripping, or leaking, tap is repaired immediately to prevent the enamel being permanently damaged.

BATH EXTERIOR

Caring for the exterior of your bath or shower tray is dependent on the finish of your bath:

- A raw, primed, or painted exterior does not require any maintenance, other than occasional cleaning to maintain the appearance. If the exterior becomes scratched, exposing the cast iron below, it must be treated immediately with a suitable rust inhibitor, followed by a metal primer and paint finish to seal the exterior.
- A polished or lacquered exterior is a beautiful finish, but it must be treated very carefully to avoid scratching especially when moving the bath into position. If the exterior does become scratched, please call Drummonds immediately so that we can advise on the best course of action. In general use, the polished exterior should simply be wiped down with a soft clean cloth. Never use any kind of bathroom cleaner on the exterior of your bath. Care should also be taken when cleaning the floor around the bath, particularly with a skirted bath, not to allow floor cleaner to splash or rub on the bath, as it may damage the lacquer which protects the bath from rusting.

CHINA SANITARYWARE

Clean on a regular basis with a mild, non-abrasive bathroom cleaner to prevent the buildup of dirt and limescale. Ensure that dripping taps are repaired quickly to avoid the surface of the China becoming stained.

MARBLE VANITY BASINS

A Drummonds' marble vanity basin is a natural product which is hand polished and sealed in the factory. Clean the surface of the marble after use with a soft cloth, making sure that you dry the surface to prevent watermarks from developing on the marble. We would recommend Lithofin Easy Care which is a daily cleaner/conditioner designed for natural stones. Under no circumstances use any kind of bathroom cleaner or limescale remover on the surface of the marble. To prevent staining, it is important to ensure that any cosmetics, including shampoo, are wiped off the surface immediately.

WOODEN LOO SEATS

Clean after use with a damp soft (non-abrasive) cloth and dry immediately. Never use a bathroom cleaner on your loo seat as this is likely to strip off the varnish invalidating the guarantee. Use a high-quality furniture wax polish occasionally such as Mylands Wax - Natural and apply in accordance with the manufacturers' instructions. Under no circumstance stand on your loo seat. Replace bumpers when perished as these can mark and stain the toilet seat.