
DELIVERY & STORAGE INSTRUCTIONS

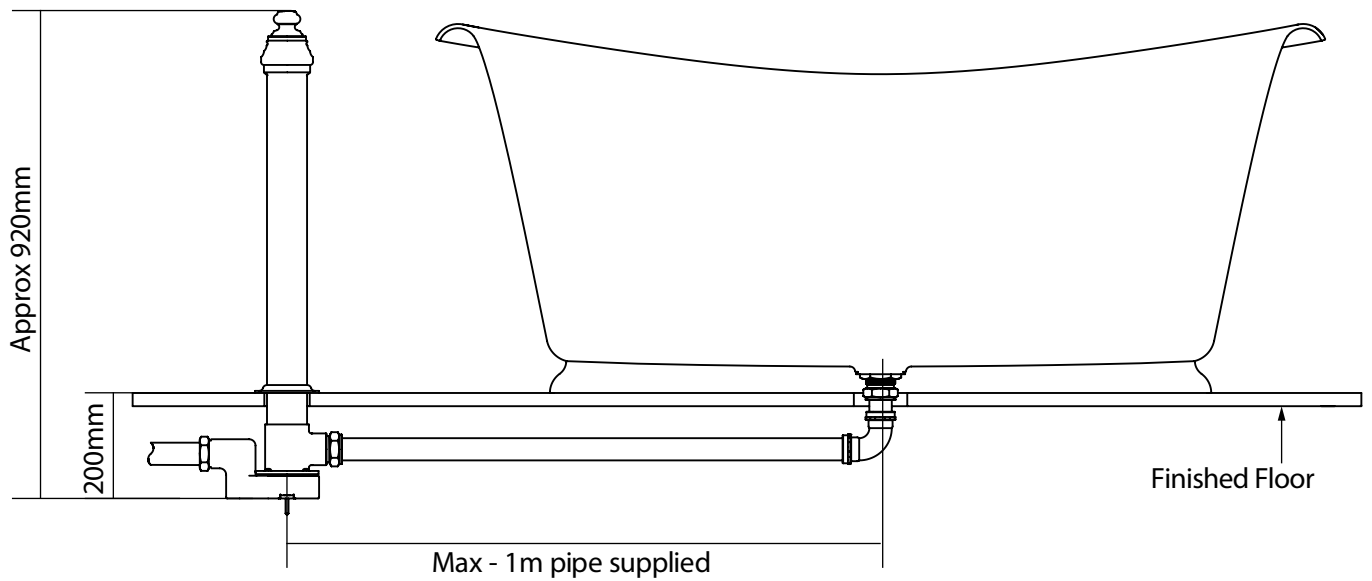
- Sign for delivery confirming the number of pallets/boxes received and move products into property or storage area.
- Open boxes and wooden crates and check that all components are included in accordance with product drawing.
- Check for any damage to the products that may have occurred during transportation.
- In accordance with our terms and conditions, report in writing any damage or missing products within 3 days of delivery.

TO PROTECT PRODUCTS ON SITE

- Taps and fittings should be stored in their original packaging, in a clean and dry environment, at normal room temperature. After inspection, please ensure products are clean and dry before returning to original packaging.
 - Baths should be removed from their wooden crate and stored in a clean environment at normal room temperature. It is very important to protect the bath from damage, in particular the interior enamelled surface and exterior polished surface. Do not put any masking tape onto the exterior of the bath.
 - Towel rails should be removed from their wooden crate and stored in a clean, dry environment at normal room temperature. It is very important that the plated surface of the towel rail is kept clean and dry. Dust, dirt or moisture that is allowed to sit on the plated surface will result in tarnishing, which can permanently damage the product invalidating the guarantee.
 - China sanitaryware should be stored in its original packaging and protected against breakage.
 - Marble should be removed from the wooden crate for inspection and then stored in a clean environment on its long edge, making sure that it is protected against damage.
 - Please follow the care instructions below if you need to clean the products being careful not to use any abrasive or chemical cleaners.
-

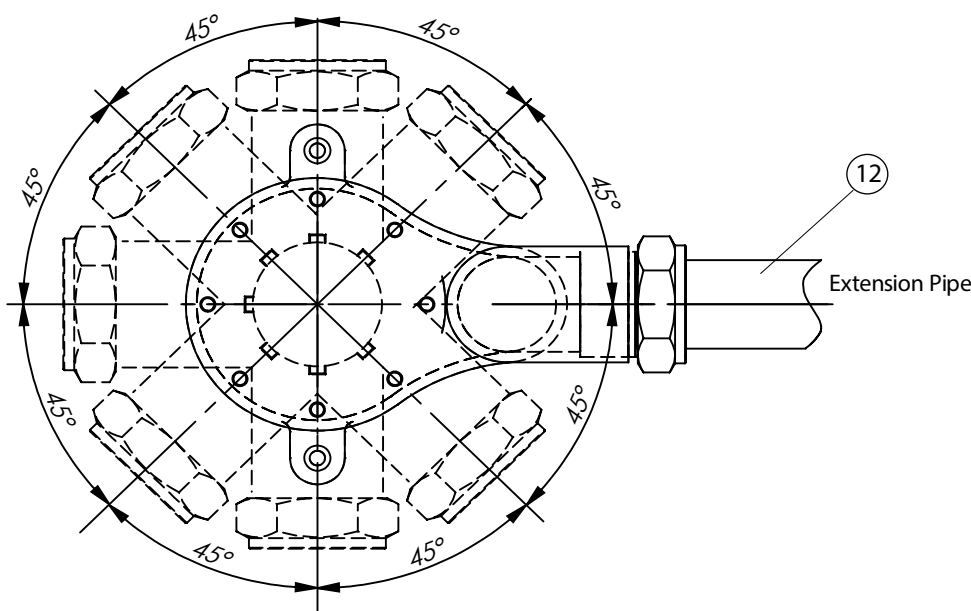
PREPARING FOR INSTALLATION

- All water fittings should only be installed by a qualified plumbing engineer and comply with current water regulations. Products and connections should remain accessible for routine maintenance. We recommend that isolation and non-return valves are fitted in all installations where appropriate.
 - For some of Drummonds' products, in particular cast iron baths, you will need to ensure that you have sufficient people on site to help with the careful lifting of the product.
 - Read and follow the installation instructions below and check that you have all of the parts and tools required to install the product properly.
 - Drummonds offer a selection of pipework fittings kits to ensure that all visible feeder and waste pipes are installed in the same finish as your Drummonds product. Please contact us if you require assistance specifying the correct kit, which can be delivered in advance of your main order to tie in with your plumbing engineer's first fix.
 - Take all necessary precautions to ensure that all parts are properly protected during, and after, installation. Polished and plated surfaces are particularly prone to damage from dirty and incorrect tools; spanners should be suitably lined so as to not damage plated or polished nuts.
 - Drummonds' products are designed to operate at up to 3 bar water pressure. Where water pressure exceeds 3 bar, we suggest pressure reducing valves are fitted. For optimum performance, hot and cold water pressure should be correctly balanced.
 - To avoid damage to tap or shower cartridges flush your existing hot and cold water system to ensure there is no debris or dirt in the existing pipework prior to commencing installation.
 - A build-up of limescale is inevitable on all water fittings and, for hard water areas, we recommend the fitting of a suitable water treatment device.
 - After installation, please ensure the product is operating correctly, that it is clean (in accordance with cleaning instructions below) and protected until completion of all works in the property.
 - If you, or your plumbing engineer, require any further advice please call head office on the number below.
-



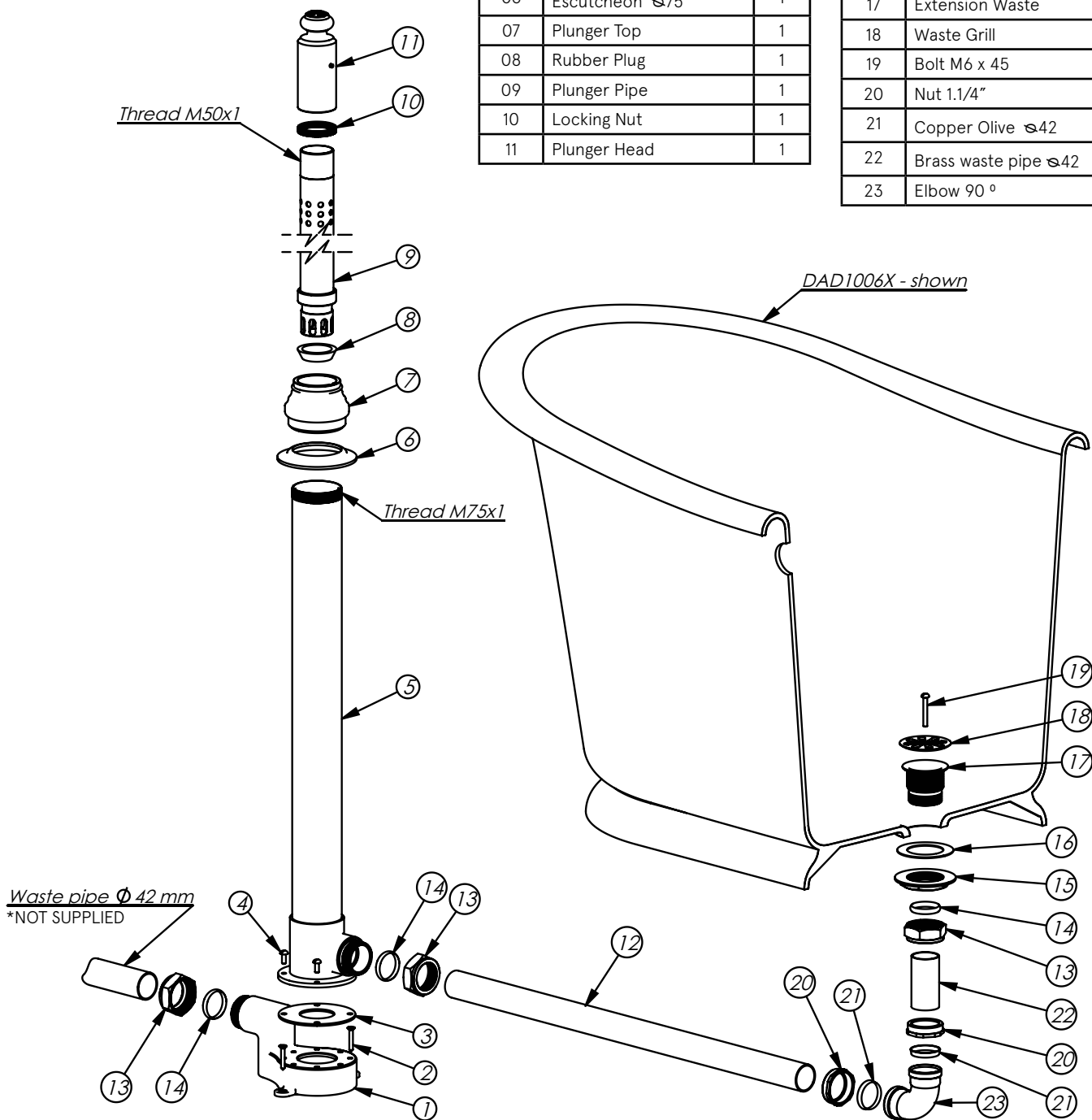
FIRST FIX

- An access panel should be planned as part of the installation for future maintenance requirements.
- The free-standing plunger overflow and waste system is designed to be able to be connected to the drainage system with the supply pipe at various angles. To install the system properly you must, before starting the assembly, determine the angle between the extension pipe (12) and the supply pipe connecting to the drainage system. The design below shows 7 ways of connecting to the supply pipe.
- Prior to installation you must consider the minimum void in the floor of 200mm and that the floor will need to be open for first fix to be completed.



#	NAME	QTY
01	Trap	1
02	10 x 1.1/2" Screws	2
03	Trap Gasket	1
04	Bolt M6 x 16	4
05	Main Body	1
06	Escutcheon $\varnothing 75$	1
07	Plunger Top	1
08	Rubber Plug	1
09	Plunger Pipe	1
10	Locking Nut	1
11	Plunger Head	1

#	NAME	QTY
12	Brass Extension Pipe $\varnothing 42$	1
13	Nut M50 x 2	3
14	Olive $\varnothing 42$	3
15	Back Nut M55 x 2	1
16	Extention Washer	1
17	Extension Waste	1
18	Waste Grill	1
19	Bolt M6 x 45	1
20	Nut 1.1/4"	2
21	Copper Olive $\varnothing 42$	2
22	Brass waste pipe $\varnothing 42$	1
23	Elbow 90 °	1



INSTALLATION INSTRUCTIONS

1. Clean the contact surface of the trap (1) and the trap (3). Place the gasket on the trap ensuring that four holes in the gasket align with those in the trap. Clean the contact surface of the main body (5) and the gasket (3). Use a suitable sealant to ensure the screw holes and trap are both water tight. Next place the main body (5) onto the prepared trap and the gasket again ensuring that the holes align with those in the trap. Secure the main body to the trap using the M6 x 16 (4) bolts provided. Make sure the bolts are fully tightened.
2. Clean off any surplus sealant around the joint of the trap.
3. Place waste (17) through the bath and connect with washer (16) and M55 nut (15) using a suitable sealant.
4. Place the waste grill (18) on the bathtub opening and secure it to the waste (17) using the M6 x 45 (19) bolt provided. Place nut (20) and olive (21) over waste pipe (22) and connect with the 90° elbow (23) and nut (20)
5. Place the nut M50 x 2 (13) and the olive (14) on the waste pipe (22) and connect to bath waste (17)
6. Place the nut M50 x 2(14) on the other end of the extension pipe (12), next slide the end of the pipe into the opening in the main body (5) and loosely join the extension pipe and the main body.
7. Tighten up M50 (13) and the waste (17).
8. Screw down the trap (1) under the floor with screws provided (2) (beware of any hidden pipes or cables). Please note you may have to create a fixing for trap at correct height (see drawings on page 2). Escutcheon (6) will slide down pipe and conceal floor and plunger.
9. Measure and cut extension pipe 42mm (12) to correct length if required and connect to elbow (23) and main body (5).
10. Screw thread from plunger top (11) into main body (5). After screwing on the plunger head, lock the plunger head with the locking nut (10) to prevent it from unscrewing. Then place the rubber plug (8) in the seat in such a way that the smaller diameter of the taper is directed downwards.
11. Slide escutcheon (6) over main body and drop to floor. Fix plunger top (7) to main body (5) and then drop plunger unit (11,10,9,8) into main body (5).
12. Place nut (13) and olive (14) onto waste pipe 42. Loosely tighten this assembly. Tighten nuts (20) ensuring that the olives are seated correctly.
13. To check the system for leaks, fill in the bath with water. If necessary, tighten up the nuts (13), (20), (23) or the waste (16)
14. Clean any excess sealant from the fittings.
15. After installation, please ensure the product is operating correctly, that it is clean (in accordance with cleaning instructions below) and protected until completion of all works in the property.

CARE & MAINTENANCE

A Drummonds' bathroom product is designed to give you years of faultless service and, if you follow the instructions below, will continue to look stunning for many years. All Drummonds' bathroom products are guaranteed for 1 year from the date of purchase against manufacturing defects. The guarantee does not cover faults caused by incorrect installation, neglect, misuse, wear & tear, inappropriate cleaning or damage caused by the build-up of limescale. Please see Drummonds' terms and conditions for further details of the product guarantee.

GENERAL USE

To help prevent limescale build-up and water marks, all surfaces should be wiped dry after use. Only mild, non-abrasive cleaning products should be used followed by rinsing and drying with a soft cloth.

POLISHED BRASS PRODUCTS

All Drummonds taps and fittings are made from 100% brass, which can be supplied in a polished finish that is not lacquered. Polished brass will tarnish very quickly, especially in the bathroom where it is exposed to moisture. If you wish to maintain a shiny brass finish, regular polishing with an appropriate metal polish such as Brasso will be required.

POLISHED CHROME OR NICKEL PRODUCTS

Wipe off any water marks after use with a soft cloth or towel. Clean on a regular basis with a mild non-abrasive bathroom cleaner, again taking care to dry the product with a soft cloth or towel. For stubborn stains, particularly in hard water areas, remove with Brasso. Nickel products will require periodic polishing with Brasso, otherwise they will develop an aged patina similar to silverware.

SHOWER HEADS AND ROSES

Clean and descale on a regular basis, paying particular attention to the holes in the shower head to ensure that they don't become blocked. Remove and clean the thermostatic cartridge on a periodic basis to prevent permanent damage from limescale.

CAST IRON BATHS AND SHOWER TRAYS

The interior of a Drummonds' bath or shower tray is enameled with dry frit vitreous enamel which is very hardwearing and durable. To maintain the soft shine on the surface of the enamel rinse the bath out after each use, making sure that you get rid of any gritty deposits, and then dry it with a soft cloth or towel. To remove marks or dirt use a non-abrasive bathroom cleaner which is safe for use on enameled surfaces (please see the Vitreous Enamel Association website for guidance on suitable cleaners www.vea.org.uk). It is very important to ensure that a dripping, or leaking, tap is repaired immediately to prevent the enamel being permanently damaged.

BATH EXTERIOR

Caring for the exterior of your bath or shower tray is dependent on the finish of your bath:

- A raw, primed or painted exterior does not require any particular maintenance, other than occasional cleaning to maintain the appearance. If the exterior becomes scratched, exposing the cast iron below, it must be treated immediately with a suitable rust inhibitor, followed by a metal primer and paint finish to seal the exterior.
- A polished and lacquered exterior is a beautiful finish but it must be treated very carefully to avoid scratching especially when moving the bath into position. If the exterior does become scratched, please call Drummonds immediately so that we can advise on the best course of action. In general use the polished exterior should simply be wiped down with a soft cloth. Never use any kind of bathroom cleaner on the exterior of your bath. Care should also be taken when cleaning the floor around the bath, particularly with a skirted bath, not to allow floor cleaner to splash or rub on the bath, as it may damage the lacquer which protects the bath from rusting.

CHINA SANITARYWARE

Clean on a regular basis with a mild, non-abrasive bathroom cleaner to prevent the buildup of dirt and limescale. Ensure that dripping taps are repaired quickly to avoid the surface of the china becoming stained.

MARBLE VANITY BASINS

A Drummonds' marble vanity basin is a natural product which is hand polished and sealed in the factory. Clean the surface of the marble after use using a soft cloth, making sure that you dry the surface to prevent water marks developing on the marble. We would recommend Lithofin Easy Care which is a daily cleaner / conditioner designed for natural stones. Under no circumstances use any kind of bathroom cleaner, or limescale remover, on the surface of the marble. To prevent staining, it is important to ensure that any cosmetics, including shampoo, are wiped off the surface of the marble immediately.

WOODEN LOO SEATS

Clean after use with a damp soft (non-abrasive) cloth and dry immediately. Never use a bathroom cleaner on your loo seat as this is likely to strip off the varnish invalidating the guarantee. Use a high quality furniture wax polish occasionally such as Mylands Wax - Natural and apply in accordance with the manufacturers' instructions. Under no circumstance stand on your loo seat. Replace bumpers when perished as these can mark and stain the toilet seat.