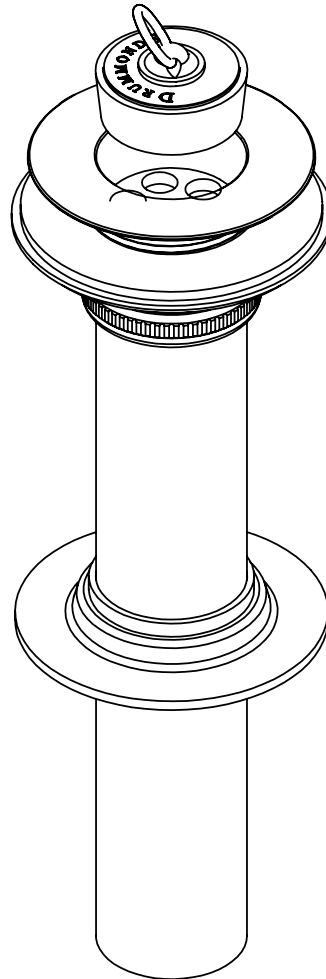
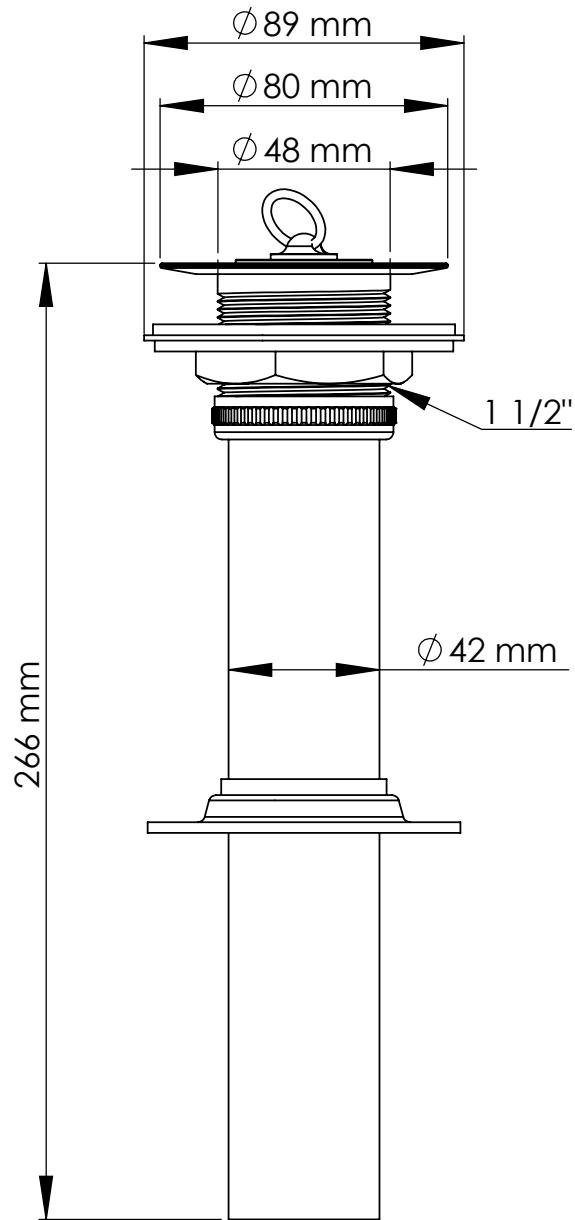
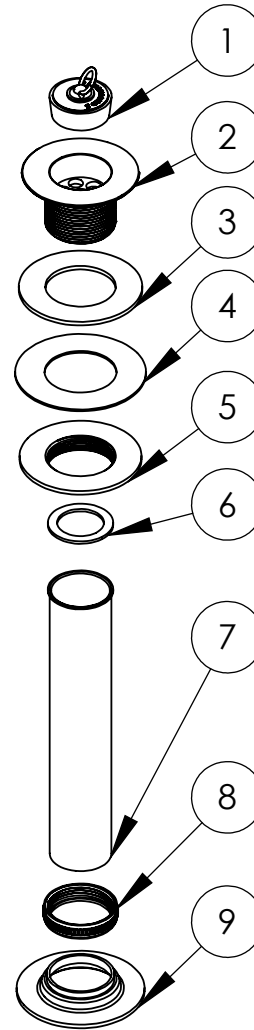


Standard Version - DAD1200

Technical Drawing



Blow Out Drawing

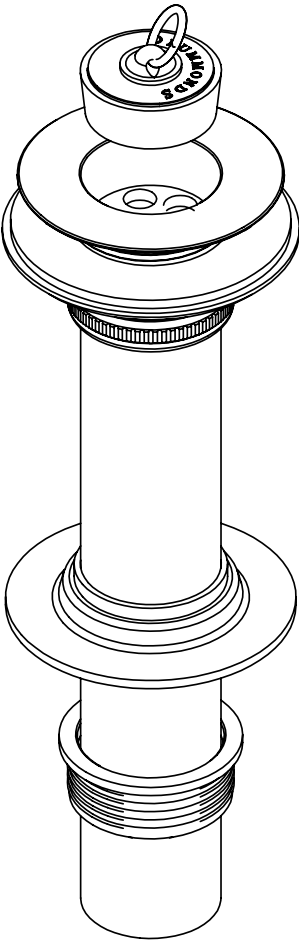
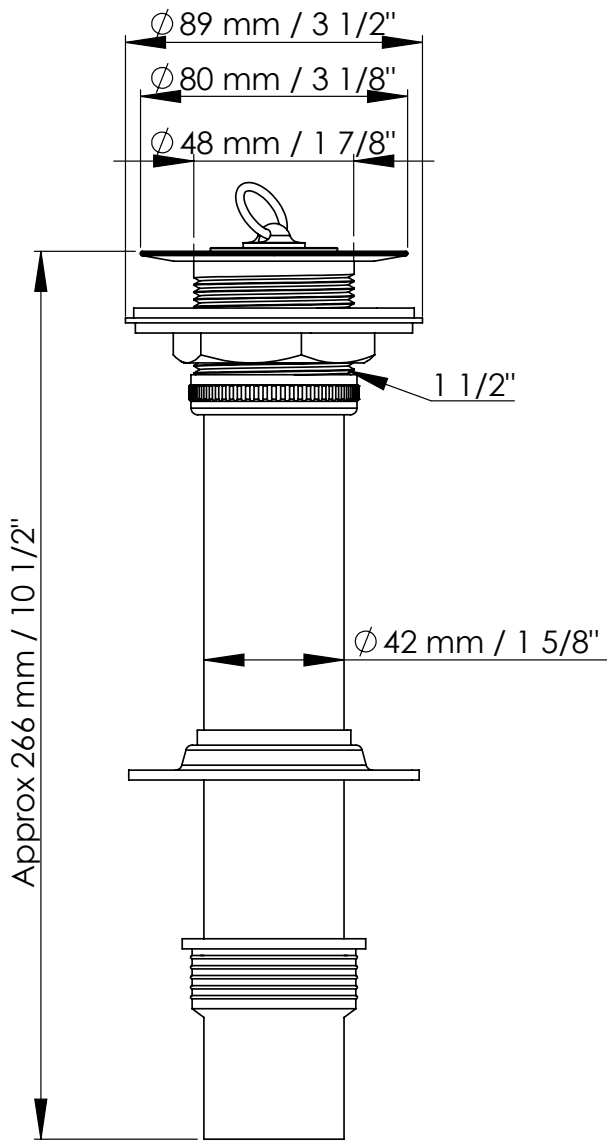


#	NAME	QTY
1	Plug	1
2	Waste	1
3	Rubber Washer	1
4	Poly Washer	1
5	Back Nut	1
6	Washer	1
7	Pipe	1
8	Nut	1
9	Escutcheon	1

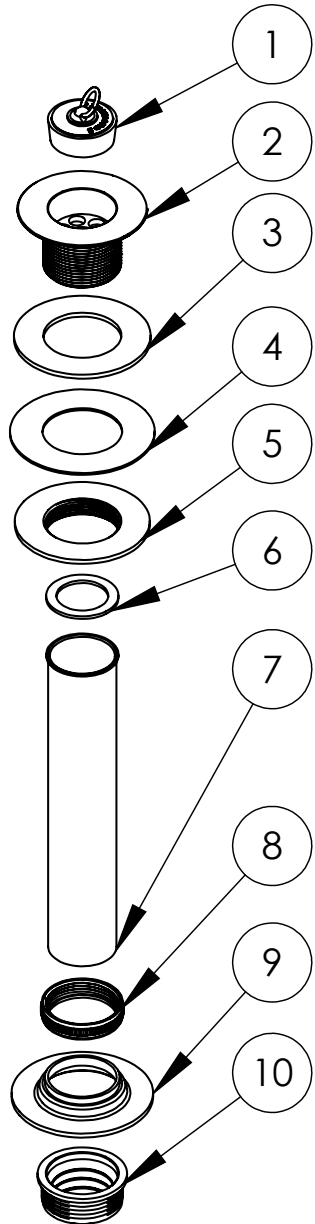
Note: Rubber plugs may mark or stain surfaces depending on bathroom products used. We therefore do not recommend leaving your plug on any marble or stone, or on your bath enamel after use.

 DRUMMONDS	<i>DAD1200</i>	05	05/10/2021
	PRODUCT CODE	VERSION	DATE

Technical Drawing



Blow Out Drawing



#	NAME	QTY
1	Plug	1
2	Waste	1
3	Rubber Washer	1
4	Poly Washer	1
5	Back Nut	1
6	Washer	1
7	Pipe	1
8	Nut	1
9	Escytcheon	1
10	TY-Seal 1 1/2"	1

Note: Rubber plugs may mark or stain surfaces depending on bathroom products used. We therefore do not recommend leaving your plug on any marble or stone, or on your bath enamel after use.