

BIDETS & WC ACCESSORIES



Loo Roll Holder With Backplate

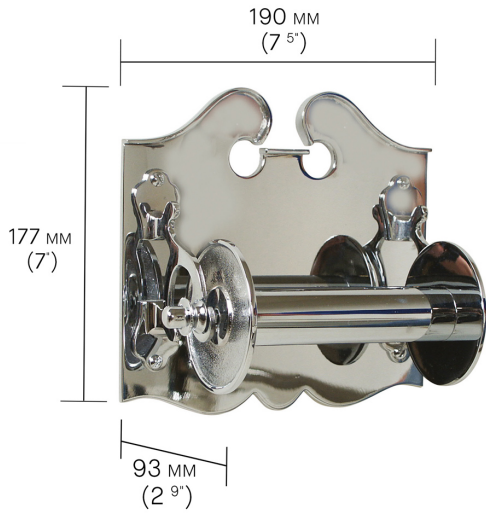
Designed and crafted with care and precision, our toilet roll holder goes beyond the practical with its elegant contours and gleaming backplate. It is the perfect accessory to give your bathroom a luxurious little lift.

PRICE EUR

FINISH	PRODUCT CODE	€ (EXC. VAT)
Unlacquered Brass	DAD1407B	780
Polished Nickel	DAD1407N	710
Polished Chrome	DAD1407C	710
Brushed Nickel	DAD1407Q	935
Antique Brushed Brass	DAD1407V	935
Antique Nickel	DAD1407W	935
Brushed Brass	DAD1407X	935
Antique Bronze	DAD1407Y	935
Antique Brass	DAD1407Z	935



LOO ROLL HOLDER WITH BACKPLATE



LOO ROLL HOLDER WITH BACKPLATE SPECIFICATIONS

Height (mm)	177
Width (mm)	190
Depth (mm)	93

FINISH VARIATIONS



Unlacquered Brass

A Natural Live Brass Finish



Polished Nickel

A Softer Silver Finish



Polished Chrome

A Bright, Clean Option



Antique Brass

A bespoke metal finish



Antique Nickel

A bespoke metal finish



Antique Bronze

A bespoke metal finish



Antique Brushed Brass

A bespoke metal finish



Brushed Brass

A bespoke metal finish



Brushed Nickel

A bespoke metal finish