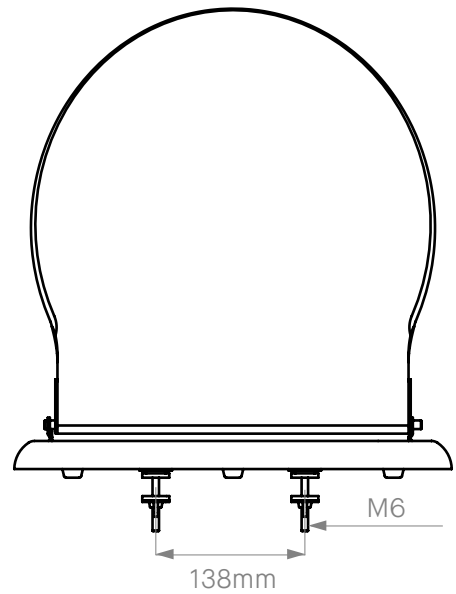
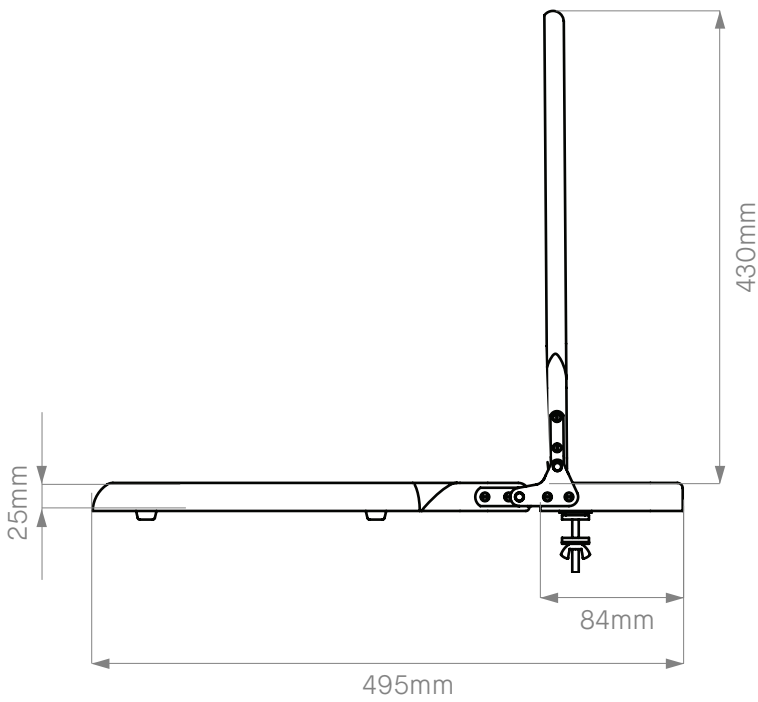
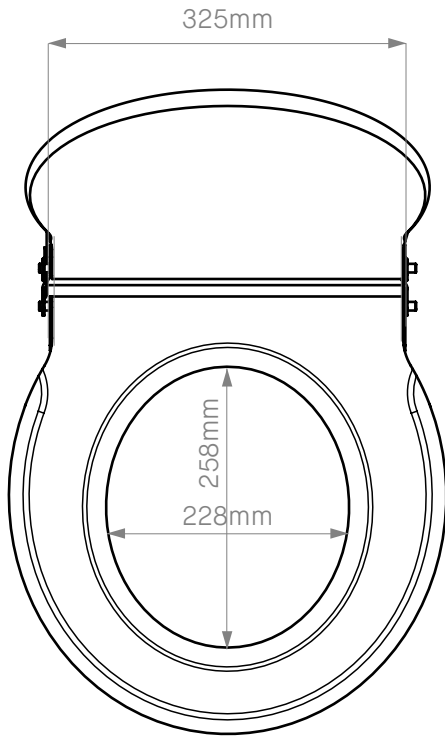


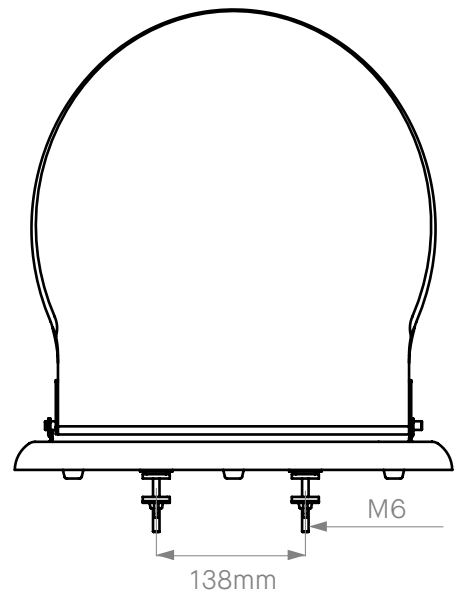
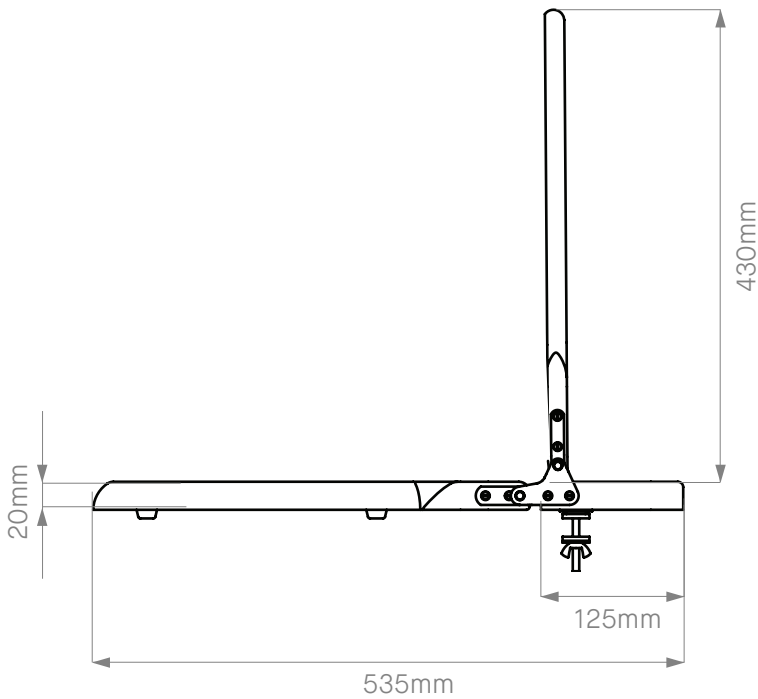
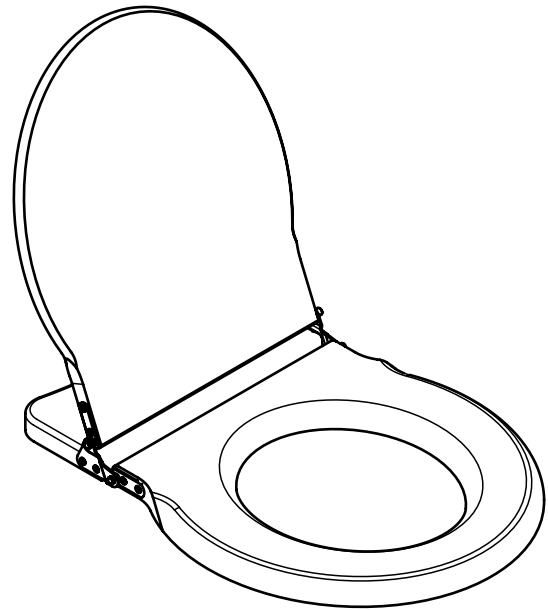
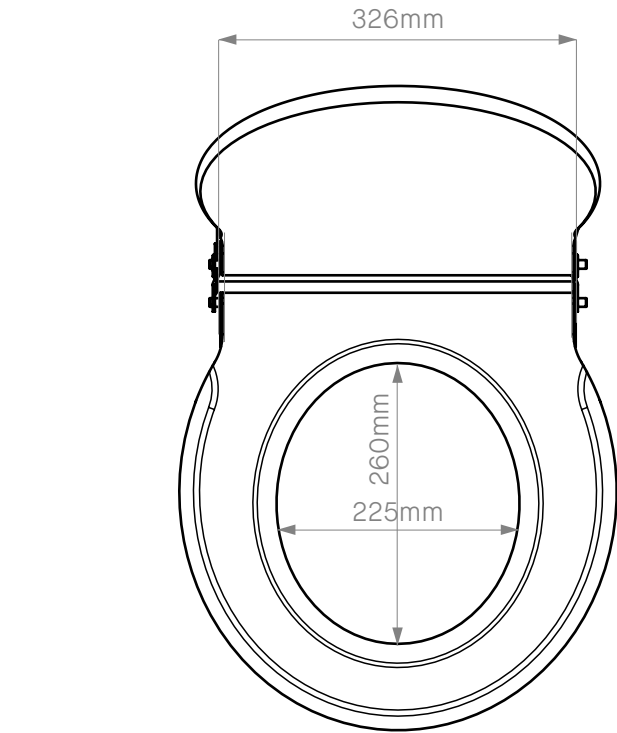
DAD1505WAD - DARK WALNUT  
DAD1505MA - MAHOGANY



TECHNICAL DRAWING

DAD1505

- DAD1505OAL - LIGHT OAK
- DAD1505OAB - BLACK OAK
- DAD1505OAD - DARK OAK
- DAD1505OAW - WHITE SAPELE



## TAKING DELIVERY OF YOUR PRODUCTS

- Sign for delivery confirming the number of pallets/boxes received.
- Open boxes and crates checking that all components are included, in accordance with product drawing and delivery note.
- Check for any damage to the products that may have occurred during transportation.
- If there is any visible sign of damage to the crate/shipping packaging, please follow these steps:
  - I. Sign for the goods as damaged
  - II. Take pictures of the goods/damage whilst on the delivery vehicle and after unloading.
  - III. Please keep all packaging intact as this may be required for part of the claims process.
- In accordance with our terms and conditions, report in writing, any damage, or missing products within 3 working days of delivery.

## PROTECTING YOUR PRODUCTS ON SITE

- Upon delivery of your order, please ensure that all items are inspected, clean and dry at normal room temperature before returning to original packaging, until installation.
- China sanitaryware should be protected against breakage.
- Please follow the care instructions if you need to clean the products, being careful not to use any abrasive or chemical cleaners.

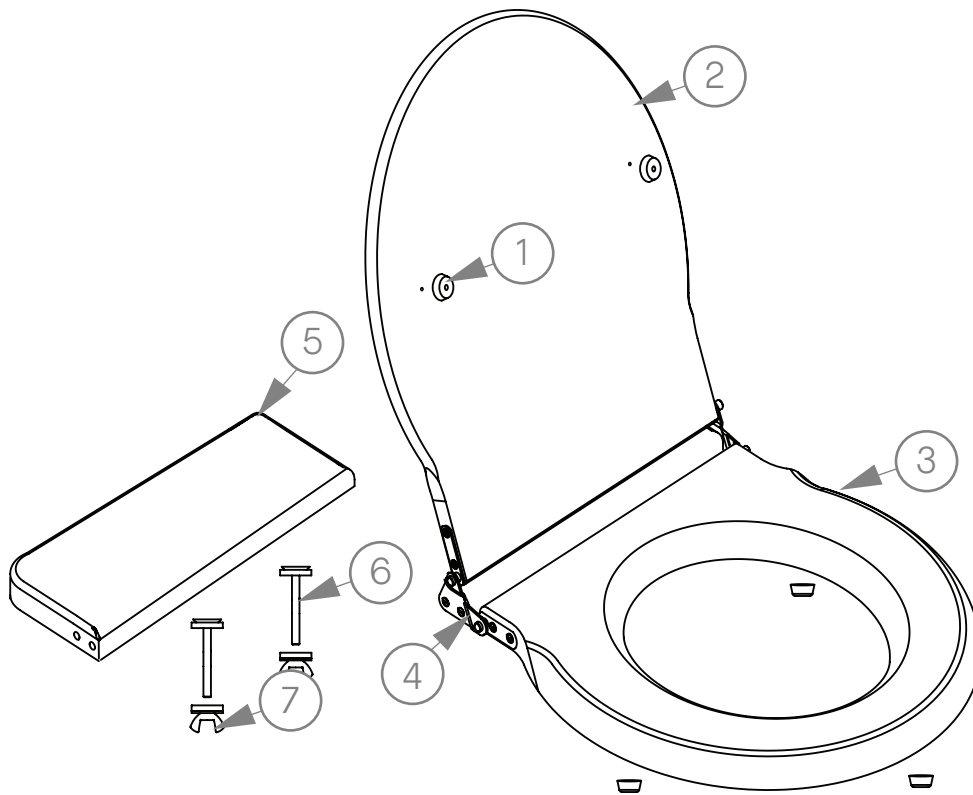
## PREPARING FOR INSTALLATION

- After installation, please ensure that the product is operating correctly and is clean (in accordance with the Care & Maintenance instructions below) and protected until completion of all works in the property.

## YOUR CHOSEN FINISH

To maintain your Drummonds loo seat:

- Clean after use with a damp soft (non-abrasive) cloth and dry immediately.
- Never use a bathroom cleaner on your loo seat as this is likely to strip off the varnish invalidating the guarantee.
- Use a high-quality furniture wax polish occasionally such as Mylands Wax - Natural and apply in accordance with the manufacturers' instructions.
- Under no circumstance stand on your loo seat.
- Replace bumpers when perished as these can mark and stain the toilet seat
- When using cleaning products in the WC Pan, leave the lid and seat raised afterwards to allow vapours to escape. Failure to do so, may cause damage to the surface of the seat.



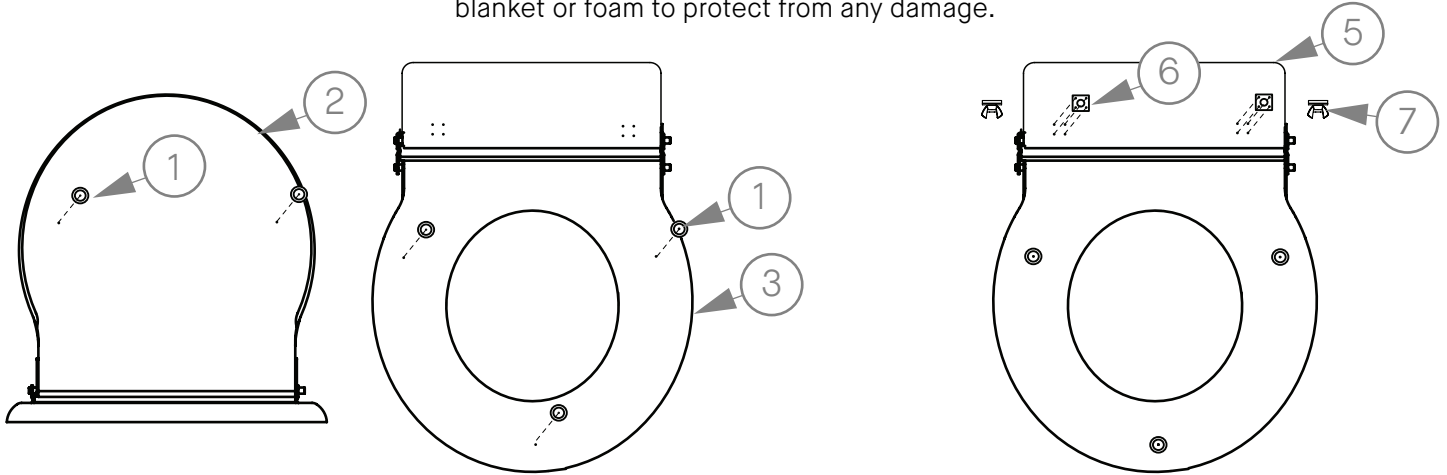
#	COMPONENT	QTY
1	Loo Seat Buffers and Screws DAD1502	5
2	Loo Seat Lid	1
3	Loo Seat	1
4	Loo Seat Hinges DAD1500	2
5	Back Plate	1
6	Fixing Bolts, Washers and Screws	2
7	Wing Nut	2

INSTALLATION INSTRUCTIONS

DAD1505

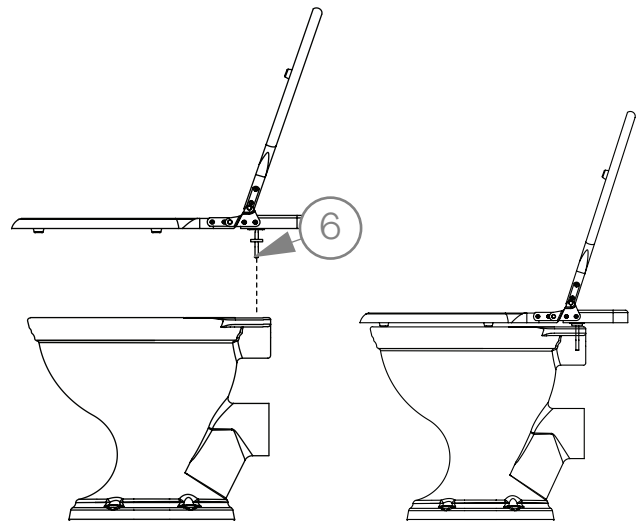
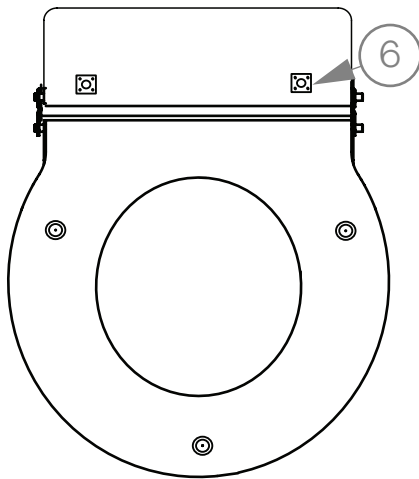
PLEASE NOTE:  
Loo seat lid (2), loo seat (3) and backplate (5) are all pre-installed with loo seat hinges (4).

Remove the loo seat from packaging and place on a soft blanket or foam to protect from any damage.



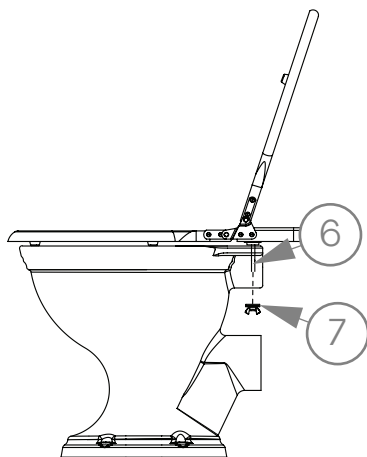
1. Install buffers (1) onto pre-drilled holes on the loo seat and the lid. NB: 2x buffers on the loo seat lid (2) and 3x buffers on the underside of the loo seat (3).

2. Keeping the loo seat bottom side up, take the fixing bolts (6) and remove the wing nuts (7). Using the screws supplied, fix bolts (6) to the pre-drilled holes on the back plate (5).



3. Place the thick rubber washers onto the fixing bolt threads (6) and check that the washer and the buffer are similar in height. If more height is required, then place 1x thin rubber washer on top.

4. Carefully line the seat up with the WC pan and feed the fixing bolts (6) through the holes in the pan. Check loo seat position relative to the pan and ensure that the seat is straight.



5. Place the remaining thin rubber washers and metal washers to the fixing bolt threads on the underside of the WC pan. Screw the wing nuts (7) onto the fixing screw bolts (6) to secure the loo seat to the WC pan.

## CARE AND MAINTENANCE

A Drummonds' Bathroom product is designed to give you years of faultless service and, if you follow the instructions below, will continue to look stunning for many years to come. All of Drummonds' Bathroom products are guaranteed for 1 year from the date of purchase against manufacturing defects. The guarantee does not cover faults caused by incorrect installation, neglect, misuse, wear & tear, inappropriate cleaning, or damage caused by the build-up of limescale. Please see Drummonds' T&Cs for further details of the product guarantee.

## GENERAL USE

To help prevent limescale build up and water marks, all surfaces should be wiped dry after use. Only mild, nonabrasive cleaning products should be used followed by rinsing and drying with a soft cloth.

## POLISHED BRASS PRODUCTS

All of Drummonds taps and fittings are made from 100% brass, which can be supplied in a polished finish that is not lacquered. Polished brass will tarnish very quickly, especially in the bathroom where it is exposed to moisture. If you wish to maintain a shiny brass finish, regular polishing with an appropriate metal polish such as Brasso will be required.

## POLISHED CHROME AND NICKEL PRODUCTS

Wipe off any water marks after use with a soft cloth or towel. Clean on a regular basis with a mild non-abrasive bathroom cleaner, again taking care to dry the product with a soft cloth or towel. For stubborn stains, particularly in hard water areas, remove with Brasso. Nickel products will require periodic polishing with Brasso, otherwise they will develop an aged patina like silverware.

## SHOWER HEADS AND ROSES

Clean and descale on a regular basis, paying particular attention to the holes in the shower head to ensure that they do not become blocked. Remove and clean the thermostatic cartridge on a periodic basis to prevent permanent damage from limescale.

## CAST IRON BATHS AND SHOWER TRAYS

The interior of a Drummonds bath or shower tray is enamelled with dry frit vitreous enamel which is very hard wearing and durable. To maintain the soft shine on the surface of the enamel rinse the bath out after each use, making sure that you get rid of any gritty deposits, and then dry it with a soft cloth or towel. To remove marks or dirt use a non-abrasive bathroom cleaner which is safe for use on enamelled surfaces (please see the Vitreous Enamel Association website for guidance on suitable cleaners [www.vea.org.uk](http://www.vea.org.uk)). It is very important to ensure that a dripping, or leaking, tap is repaired immediately to prevent the enamel being permanently damaged.

## BATH EXTERIOR

Caring for the exterior of your bath or shower tray is dependent on the finish of your bath:

- A raw, primed, or painted exterior does not require any maintenance, other than occasional cleaning to maintain the appearance. If the exterior becomes scratched, exposing the cast iron below, it must be treated immediately with a suitable rust inhibitor, followed by a metal primer and paint finish to seal the exterior.
- A polished or lacquered exterior is a beautiful finish, but it must be treated very carefully to avoid scratching especially when moving the bath into position. If the exterior does become scratched, please call Drummonds immediately so that we can advise on the best course of action. In general use, the polished exterior should simply be wiped down with a soft clean cloth. Never use any kind of bathroom cleaner on the exterior of your bath. Care should also be taken when cleaning the floor around the bath, particularly with a skirted bath, not to allow floor cleaner to splash or rub on the bath, as it may damage the lacquer which protects the bath from rusting.

## CHINA SANITARYWARE

Clean on a regular basis with a mild, non-abrasive bathroom cleaner to prevent the buildup of dirt and limescale. Ensure that dripping taps are repaired quickly to avoid the surface of the China becoming stained.

## MARBLE VANITY BASINS

A Drummonds' marble vanity basin is a natural product which is hand polished and sealed in the factory. Clean the surface of the marble after use with a soft cloth, making sure that you dry the surface to prevent watermarks from developing on the marble. We would recommend Lithofin Easy Care which is a daily cleaner/conditioner designed for natural stones. Under no circumstances use any kind of bathroom cleaner or limescale remover on the surface of the marble. To prevent staining, it is important to ensure that any cosmetics, including shampoo, are wiped off the surface immediately.

## WOODEN LOO SEATS

Clean after use with a damp soft (non-abrasive) cloth and dry immediately. Never use a bathroom cleaner on your loo seat as this is likely to strip off the varnish invalidating the guarantee. Use a high-quality furniture wax polish occasionally such as Mylands Wax - Natural and apply in accordance with the manufacturers' instructions. Under no circumstance stand on your loo seat. Replace bumpers when perished as these can mark and stain the toilet seat.