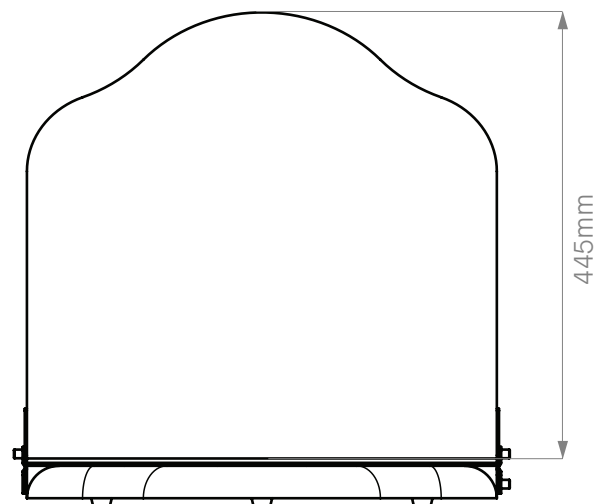
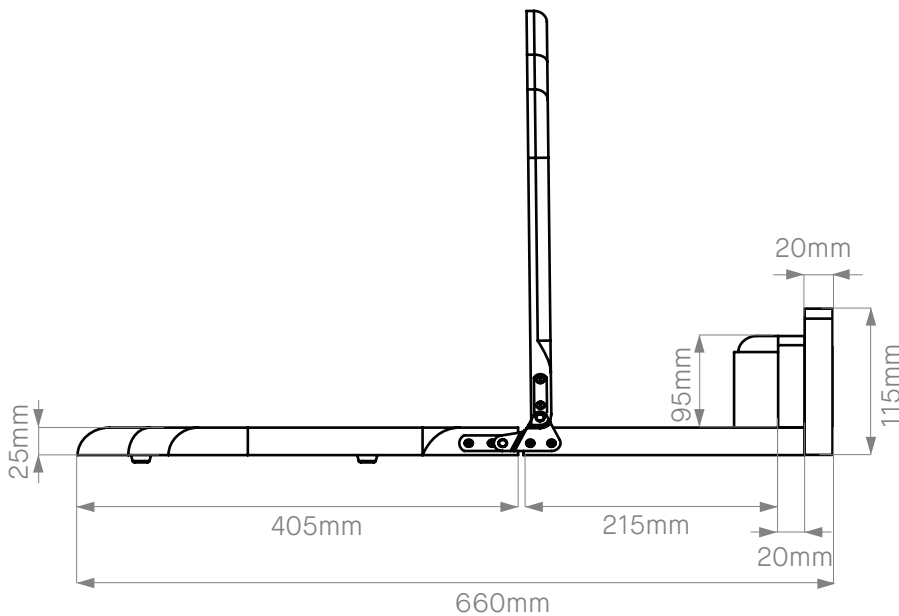
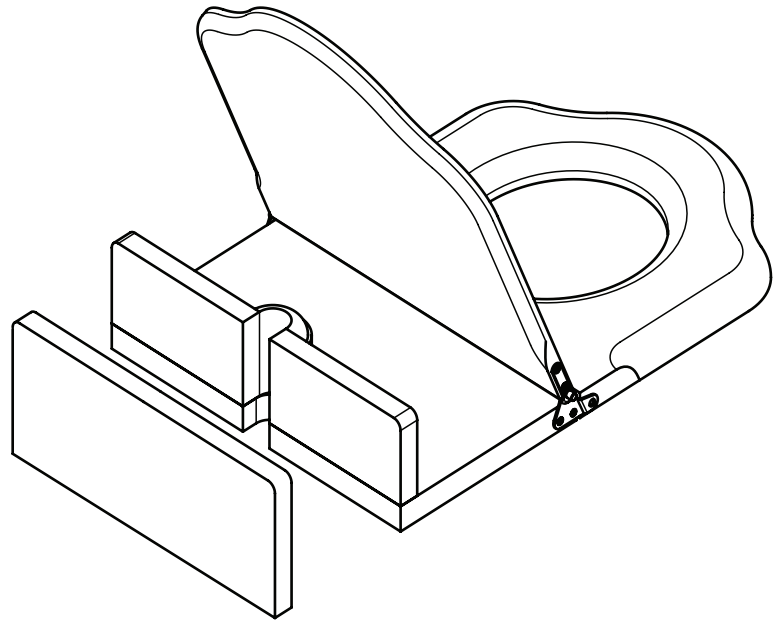
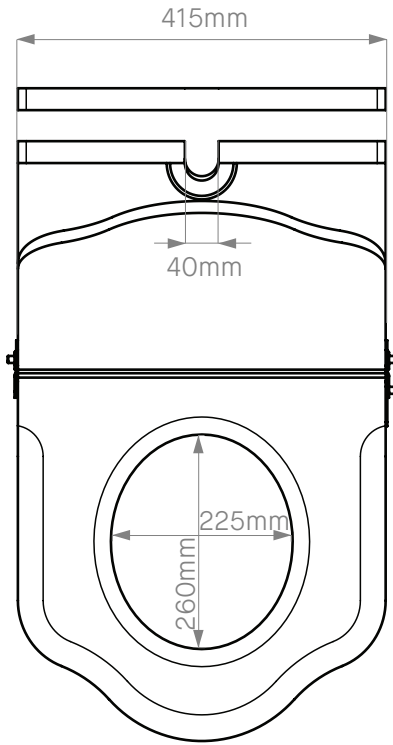


DAD1508WAD - DARK WALNUT
DAD1508MA - MAHOGANY



TAKING DELIVERY OF YOUR PRODUCTS

- Sign for delivery confirming the number of pallets/boxes received.
- Open boxes and crates checking that all components are included, in accordance with product drawing and delivery note.
- Check for any damage to the products that may have occurred during transportation.
- If there is any visible sign of damage to the crate/shipping packaging, please follow these steps:
 - I. Sign for the goods as damaged
 - II. Take pictures of the goods/damage whilst on the delivery vehicle and after unloading.
 - III. Please keep all packaging intact as this may be required for part of the claims process.
- In accordance with our terms and conditions, report in writing, any damage, or missing products within 3 working days of delivery.

PROTECTING YOUR PRODUCTS ON SITE

- Upon delivery of your order, please ensure that all items are inspected, clean and dry at normal room temperature before returning to original packaging, until installation.
- China sanitaryware should be protected against breakage.
- Please follow the care instructions if you need to clean the products, being careful not to use any abrasive or chemical cleaners.

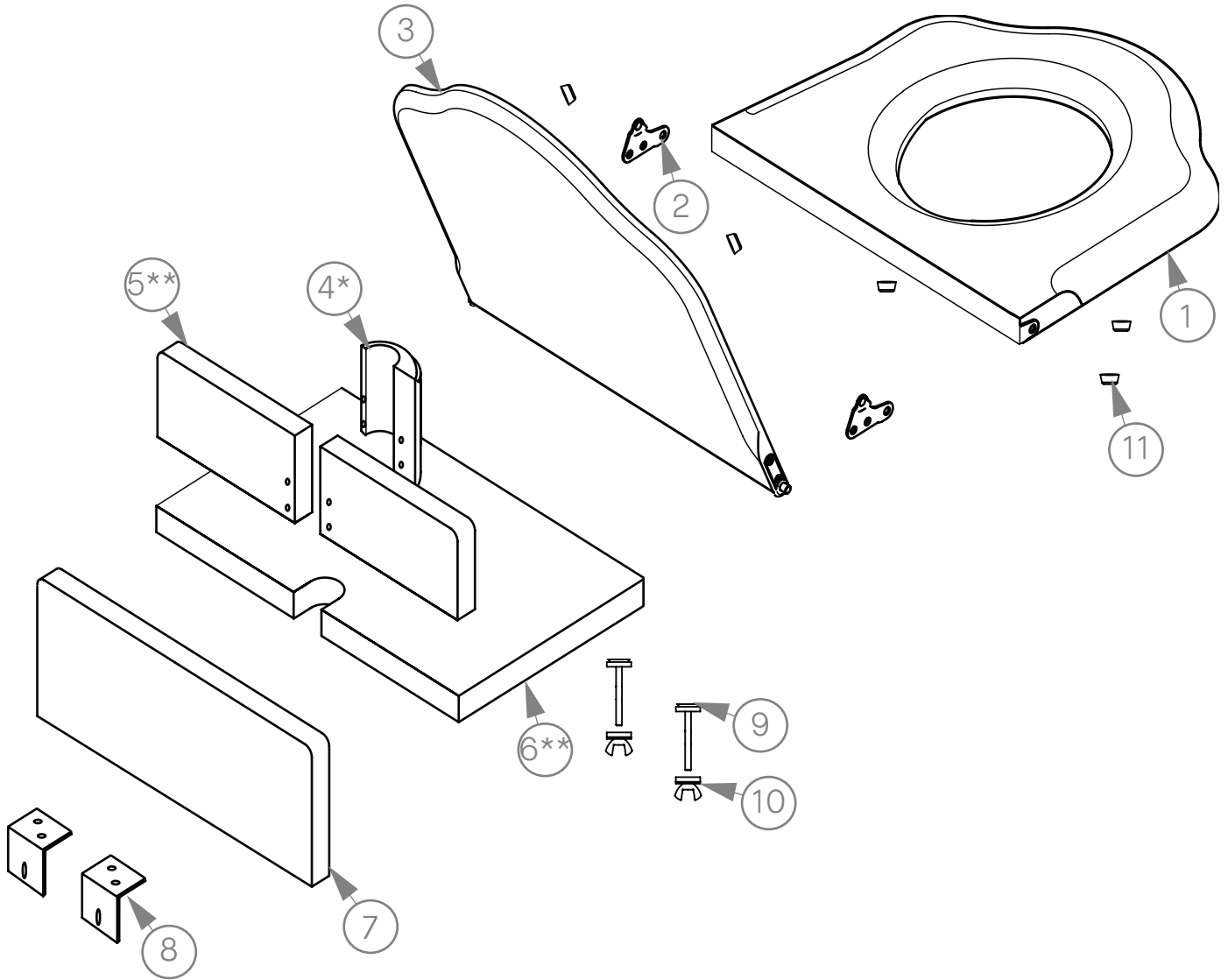
PREPARING FOR INSTALLATION

- After installation, please ensure that the product is operating correctly and is clean (in accordance with the Care & Maintenance instructions below) and protected until completion of all works in the property.

YOUR CHOSEN FINISH

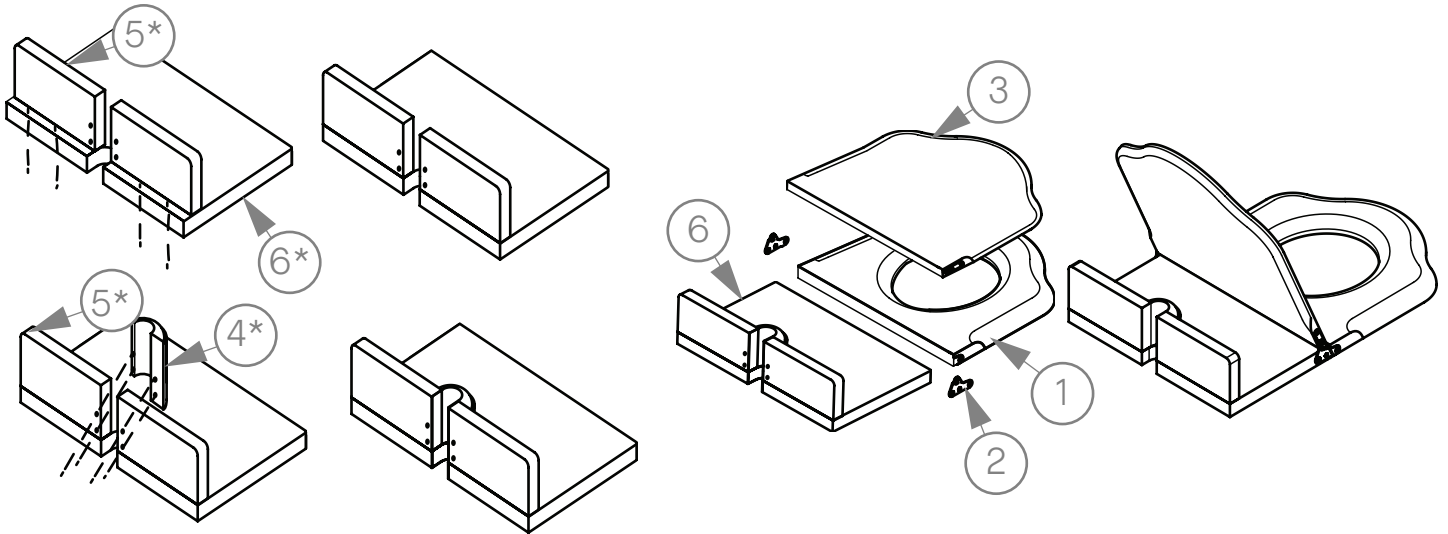
To maintain your Drummonds loo seat:

- Clean after use with a damp soft (non-abrasive) cloth and dry immediately.
- Never use a bathroom cleaner on your loo seat as this is likely to strip off the varnish invalidating the guarantee.
- Use a high-quality furniture wax polish occasionally such as Mylands Wax - Natural and apply in accordance with the manufacturers' instructions.
- Under no circumstance stand on your loo seat.
- Replace bumpers when perished as these can mark and stain the toilet seat
- When using cleaning products in the WC Pan, leave the lid and seat raised afterwards to allow vapours to escape. Failure to do so, may cause damage to the surface of the seat.



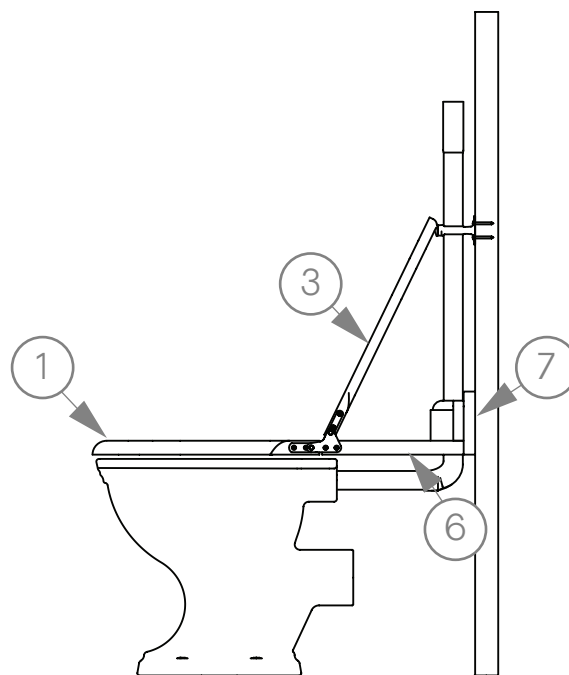
#	COMPONENT	QTY
1	Throne Loo Seat	1
2	Triangular Hinges and Screws	2
3	Throne Loo Seat Lid	1
4*	Flush Pipe Cover	1
5*	Short Upstands	2
6*	Backplate	1
7	Long Upstand	1
8	L Brackets without Screws	2
9	Fixing Bolts with Screws	2
10	Wing Nuts	2
11	Loo Seat and Lid Buffers with Screws	5
*	30mm Screws	4
**	40mm Screws	4

Remove the loo seat from packaging and place on a soft blanket or foam to protect from any damage.

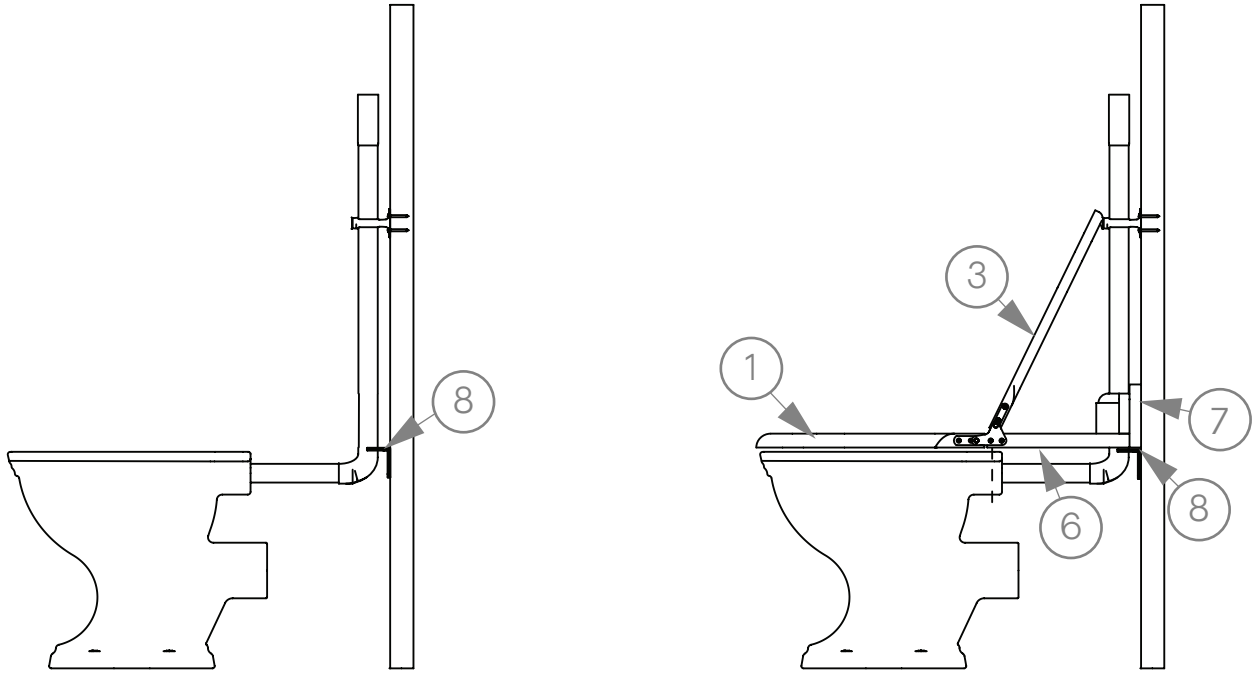


1. Using 40mm screws(*), secure the short upstands (5*) into position from the underside of the backplate (6*). Using 30mm screws (*), align the Flush Pipe Cover (4*) with the pre-drilled holes on the short upstands (5*) and secure in place.

2. Place the toilet seat lid (3) on top of the seat (1). Position the backplate (6) behind it, align the triangular hinge (2) with the partially installed hinges on the seat and lid, and secure one side using screws. Repeat the alignment and attachment process for the triangular hinge (2) on the opposite side, and secure with screws.

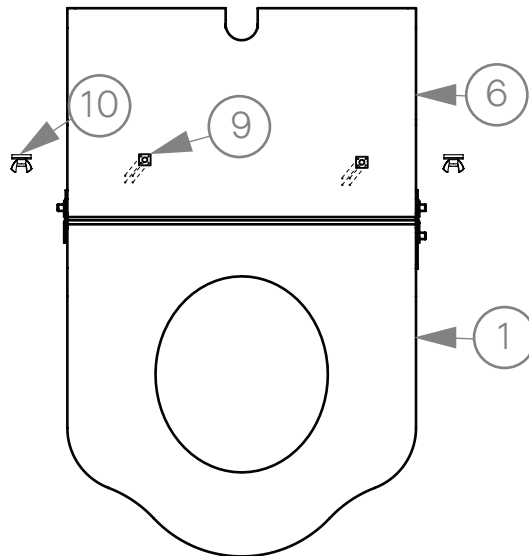


3. Ensure the Brora WC Suite is installed in accordance with the recommendations provided in manual DAD9050. Place the Throne Loo Seat (1 and 3) and connected Backplate (6) in position on the WC pan, carefully aligning so the Long Upright (7) fits as flush as possible against the wall and behind the backplate (6) and flush pipe.



4. Remove the Long Upstand (7). Mark the L Brackets (8) position on the wall. Remove the throne seat from the WC pan before installing the L Brackets (8) to the wall (screws not supplied).

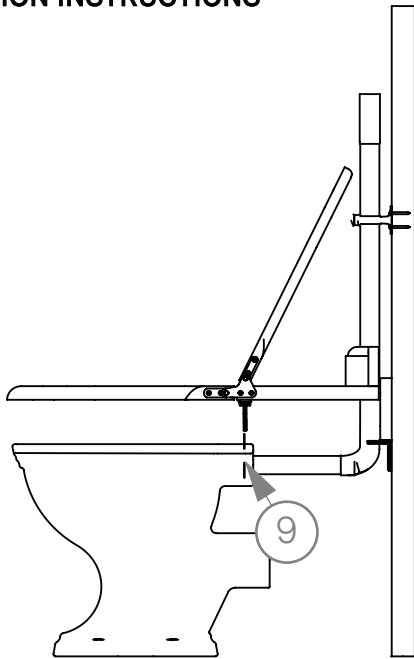
5. Reposition the Throne Loo Seat and Backplate on the WC pan, with the Long Upstand (7) placed onto the L brackets (8) secured on the wall. Ensure all components are realigned, and the Seat with Lid (1 and 3), Backplate (6), and Long Upstand (7) sit flush. From beneath the pan, mark the hole positions through the pan holes onto the underside of the Backplate (6).



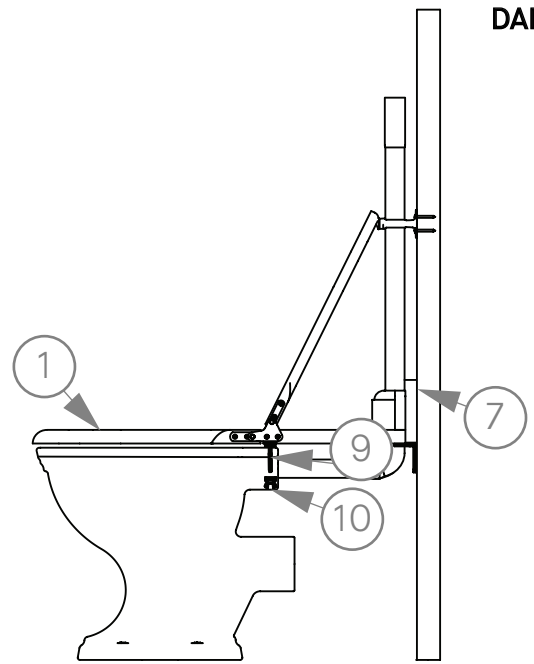
6. Remove the Loo Seat and Backplate from the pan and turn upside down. From markings now on backplate, drill pilot holes. Take the fixing bolts (9) and remove the wing nuts (10). Using the supplied screws, attach the bolts (9) to the hole positions on the underside of the Backplate (6).

INSTALLATION INSTRUCTIONS

DAD1508



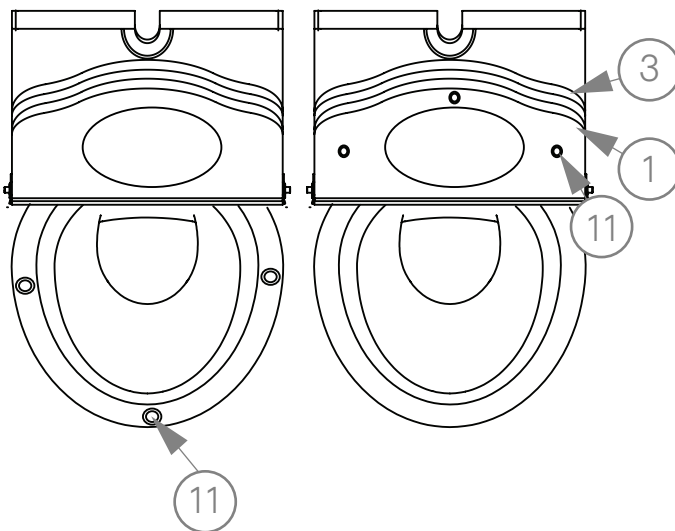
7. Carefully reposition the seat onto the pan, feeding the fixing bolts (9) through the pan holes. Check the seat alignment relative to the pan and ensure that the seat is straight.



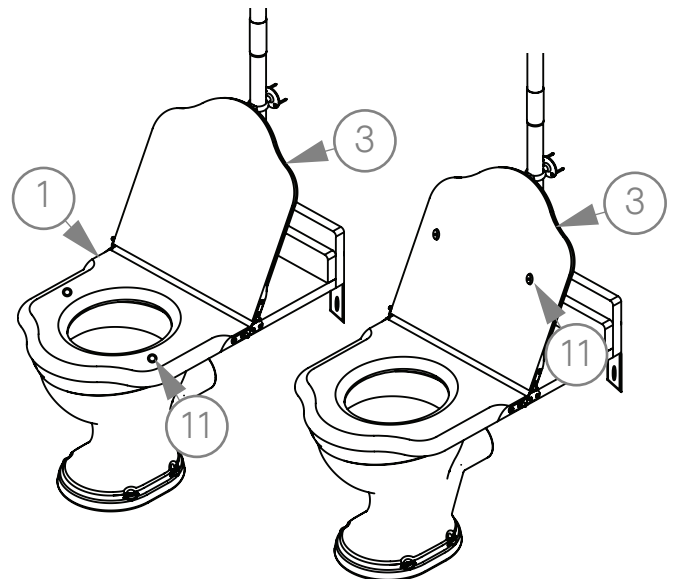
8. Place the remaining thin rubber washers and metal washers onto the fixing bolt (9) threads on the underside of the WC pan. Screw the wing nuts (10) onto the bolts to secure the Throne Loo Seat (1) to the pan. If required, apply a small amount of suitable adhesive to secure the Long Upstand (7) to the wall.

PLEASE NOTE

3 rubber buffers are provided with our seats. We recommend fitting these to the underside of the seat as seen of the drawings below. To avoid scratching when the seat and lid are lifted together, 2 further rubbers can be fitted to the underside of the lid. Please be aware, the rubber buffer will mark the seat if you choose this option.



9. With the Throne Loo Seat (1) and Lid (3) in the upright position, place three buffers (11) evenly on the rim of the WC pan: one at the front centre, one on the left, and one on the right side. Ensure each buffer is centred and evenly spaced. Mark positions on underside of Throne Loo Seat (1) and drill pilot holes then screw into place.



10. Lower the Throne Loo Seat (1) and place two additional buffers on each side of the seat top, ensuring they are evenly spaced and positioned correctly when the Throne Loo Seat Lid (3) is closed. Mark positions on inside lid (3) and drill pilot holes then screw buffers (11).

NOTE:

Using a little water, dampen the tops of the buffers slightly to help them temporarily adhere during installation. Do not overtighten the screws, as this may damage the rubber. Ensure each screw sits at least halfway down inside the buffer to prevent contact with the seat or the pan.

CARE AND MAINTENANCE

A Drummonds' Bathroom product is designed to give you years of faultless service and, if you follow the instructions below, will continue to look stunning for many years to come. All of Drummonds' Bathroom products are guaranteed for 1 year from the date of purchase against manufacturing defects. The guarantee does not cover faults caused by incorrect installation, neglect, misuse, wear & tear, inappropriate cleaning, or damage caused by the build-up of limescale. Please see Drummonds' T&Cs for further details of the product guarantee.

GENERAL USE

To help prevent limescale build up and water marks, all surfaces should be wiped dry after use. Only mild, nonabrasive cleaning products should be used followed by rinsing and drying with a soft cloth.

POLISHED BRASS PRODUCTS

All of Drummonds taps and fittings are made from 100% brass, which can be supplied in a polished finish that is not lacquered. Polished brass will tarnish very quickly, especially in the bathroom where it is exposed to moisture. If you wish to maintain a shiny brass finish, regular polishing with an appropriate metal polish such as Brasso will be required.

POLISHED CHROME AND NICKEL PRODUCTS

Wipe off any water marks after use with a soft cloth or towel. Clean on a regular basis with a mild non-abrasive bathroom cleaner, again taking care to dry the product with a soft cloth or towel. For stubborn stains, particularly in hard water areas, remove with Brasso. Nickel products will require periodic polishing with Brasso, otherwise they will develop an aged patina like silverware.

SHOWER HEADS AND ROSES

Clean and descale on a regular basis, paying particular attention to the holes in the shower head to ensure that they do not become blocked. Remove and clean the thermostatic cartridge on a periodic basis to prevent permanent damage from limescale.

CAST IRON BATHS AND SHOWER TRAYS

The interior of a Drummonds bath or shower tray is enamelled with dry frit vitreous enamel which is very hard wearing and durable. To maintain the soft shine on the surface of the enamel rinse the bath out after each use, making sure that you get rid of any gritty deposits, and then dry it with a soft cloth or towel. To remove marks or dirt use a non-abrasive bathroom cleaner which is safe for use on enamelled surfaces (please see the Vitreous Enamel Association website for guidance on suitable cleaners www.vea.org.uk). It is very important to ensure that a dripping, or leaking, tap is repaired immediately to prevent the enamel being permanently damaged.

BATH EXTERIOR

Caring for the exterior of your bath or shower tray is dependent on the finish of your bath:

- A raw, primed, or painted exterior does not require any maintenance, other than occasional cleaning to maintain the appearance. If the exterior becomes scratched, exposing the cast iron below, it must be treated immediately with a suitable rust inhibitor, followed by a metal primer and paint finish to seal the exterior.
- A polished or lacquered exterior is a beautiful finish, but it must be treated very carefully to avoid scratching especially when moving the bath into position. If the exterior does become scratched, please call Drummonds immediately so that we can advise on the best course of action. In general use, the polished exterior should simply be wiped down with a soft clean cloth. Never use any kind of bathroom cleaner on the exterior of your bath. Care should also be taken when cleaning the floor around the bath, particularly with a skirted bath, not to allow floor cleaner to splash or rub on the bath, as it may damage the lacquer which protects the bath from rusting.

CHINA SANITARYWARE

Clean on a regular basis with a mild, non-abrasive bathroom cleaner to prevent the buildup of dirt and limescale. Ensure that dripping taps are repaired quickly to avoid the surface of the China becoming stained.

MARBLE VANITY BASINS

A Drummonds' marble vanity basin is a natural product which is hand polished and sealed in the factory. Clean the surface of the marble after use with a soft cloth, making sure that you dry the surface to prevent watermarks from developing on the marble. We would recommend Lithofin Easy Care which is a daily cleaner/conditioner designed for natural stones. Under no circumstances use any kind of bathroom cleaner or limescale remover on the surface of the marble. To prevent staining, it is important to ensure that any cosmetics, including shampoo, are wiped off the surface immediately.

WOODEN LOO SEATS

Clean after use with a damp soft (non-abrasive) cloth and dry immediately. Never use a bathroom cleaner on your loo seat as this is likely to strip off the varnish invalidating the guarantee. Use a high-quality furniture wax polish occasionally such as Mylands Wax - Natural and apply in accordance with the manufacturers' instructions. Under no circumstance stand on your loo seat. Replace bumpers when perished as these can mark and stain the toilet seat.