

WALL MOUNTED TOWEL RAILS

3-Bar Wall Mounted Towel Rail

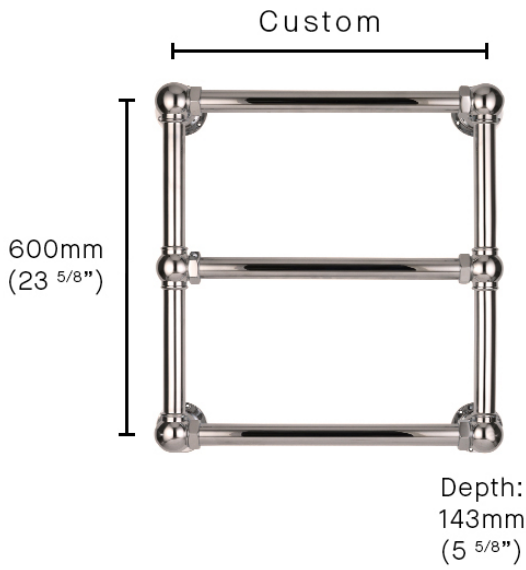
Drummonds heated towel rails are custom made to order and are large enough to dry even the biggest towels. Each towel rail is hand-crafted piece by piece from solid brass, for ultimate luxury. Our towel rails can be wall mounted or floor mounted and come with hot water, electric or dual fuel heating options. Custom measurements can be made on request, however, please note there is an extra charge for bespoke pieces. If you need to know the dimensions to the feeds of the towel rail, please see our installation manuals. The radiator valves of the floor mounted towel rails are situated 85mm in from the centre of each vertical pipe (when 15mm pipe is used). Wall mounted towel rails have radiator valves on the outside. Radiator valves and extendable escutcheons are sold separately.

PRICE USD

FINISH	ELECTRIC HEATED	\$ (EXC. TAX)
Brushed Nickel	DAD1804QMEUS	6,060
Brushed Brass	DAD1804XMEUS	6,060
Antique Brushed Brass	DAD1804VMEUS	6,060
Antique Bronze	DAD1804YMEUS	6,060
Antique Nickel	DAD1804WMEUS	6,060
Antique Brass	DAD1804ZMEUS	6,060
Unlacquered Brass	DAD1804BMEUS	5,105
Polished Nickel	DAD1804NMEUS	4,670
Polished Chrome	DAD1804CMEUS	4,670



3-BAR WALL MOUNTED TOWEL RAIL



3-BAR WALL MOUNTED TOWEL RAIL SPECIFICATIONS

Width	Custom made to your width
Style	Wall Mounted
Certificate	CE, IP 55, UKCA, UL

FINISH VARIATIONS



Unlacquered Brass

A Natural Live Brass Finish



Polished Nickel

A Softer Silver Finish



Polished Chrome

A Bright, Clean Option



Antique Brass

A bespoke metal finish



Antique Nickel

A bespoke metal finish



Antique Bronze

A bespoke metal finish



Antique Brushed Brass

A bespoke metal finish



Brushed Brass

A bespoke metal finish



Brushed Nickel

A bespoke metal finish



HEATING SYSTEM VARIATIONS



Electric Heated