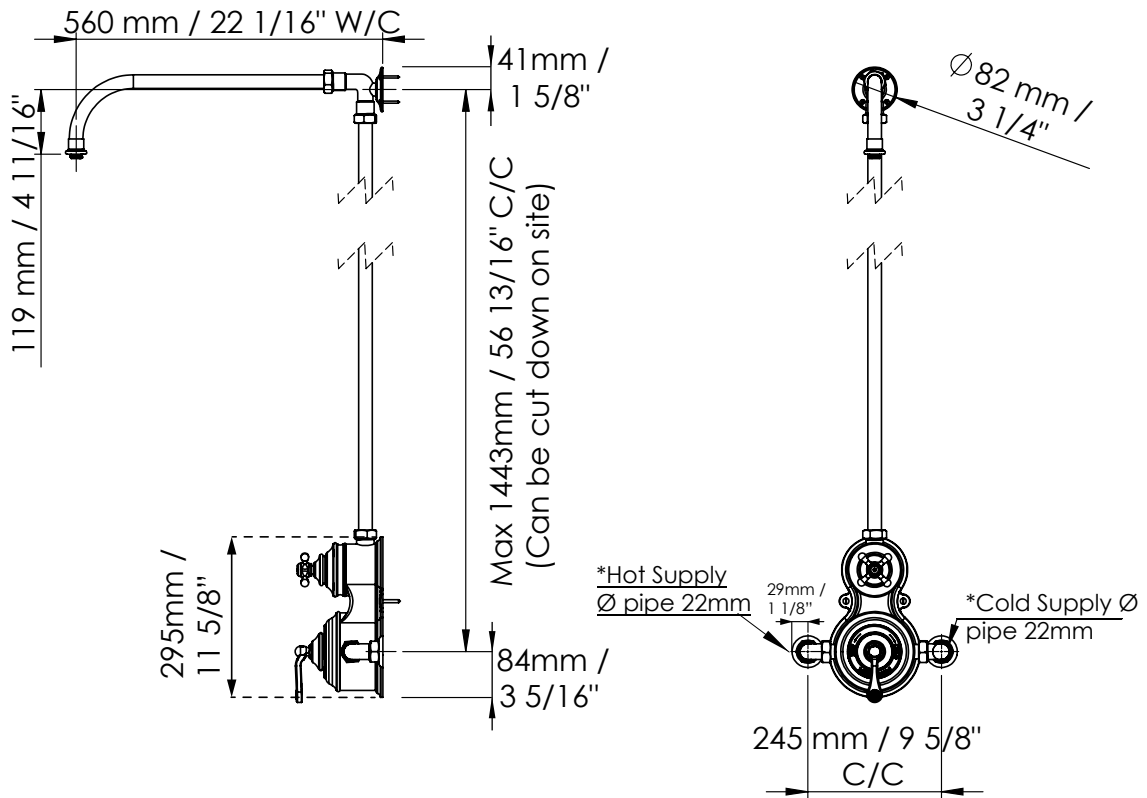
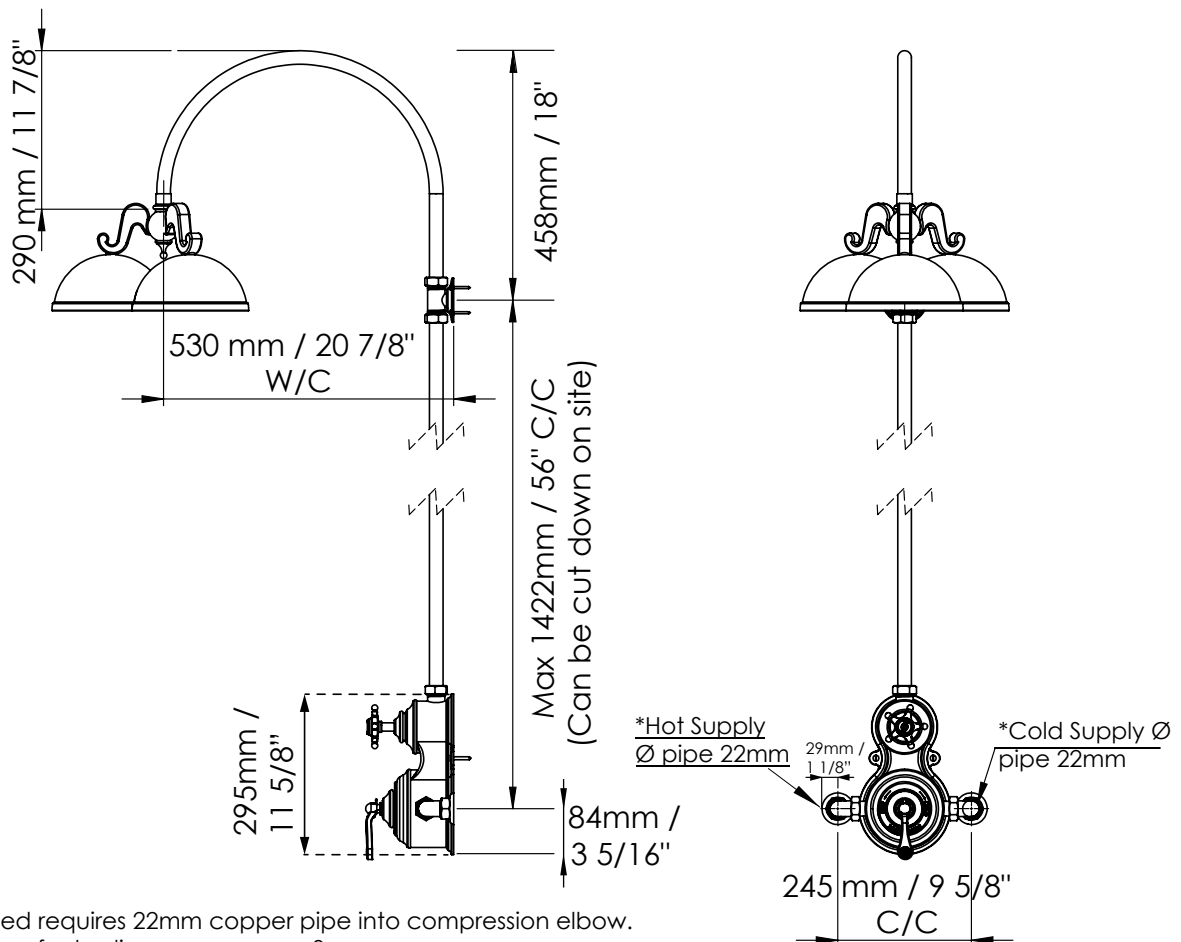


DAD1953 Dalby Shower with Straight Arm



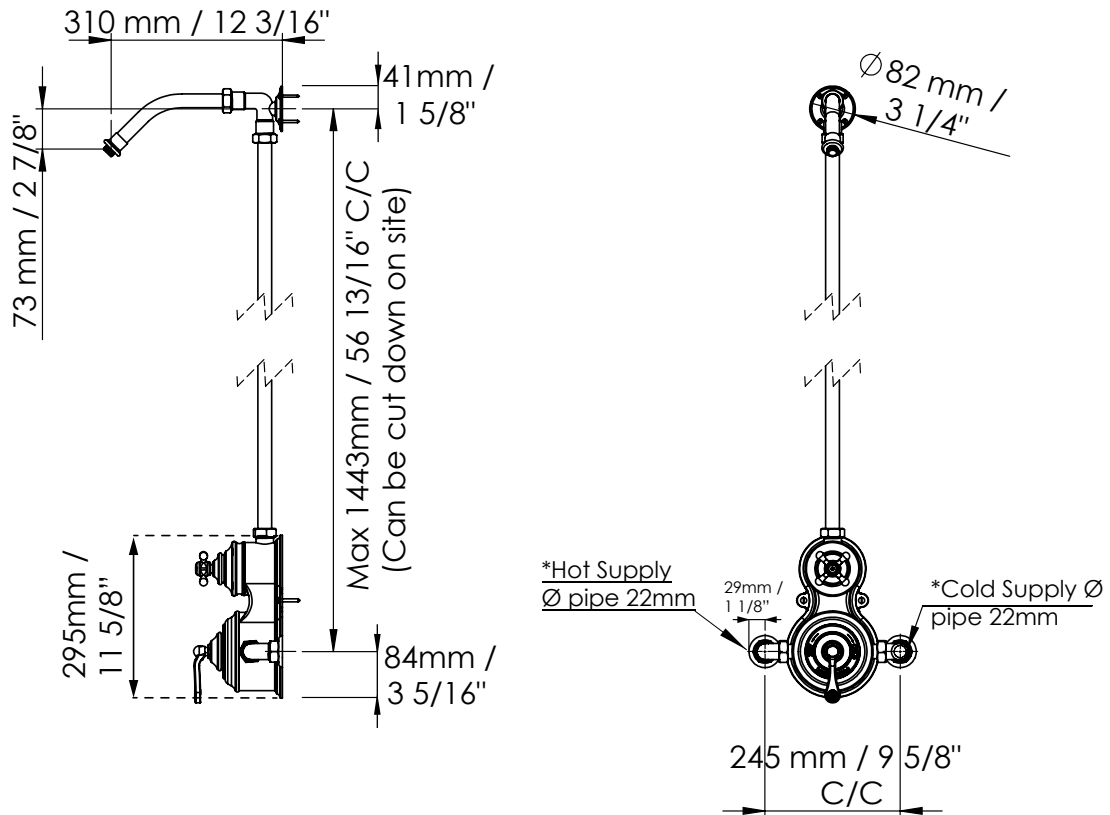
DAD1954 Dalby Shower with Curved Arm



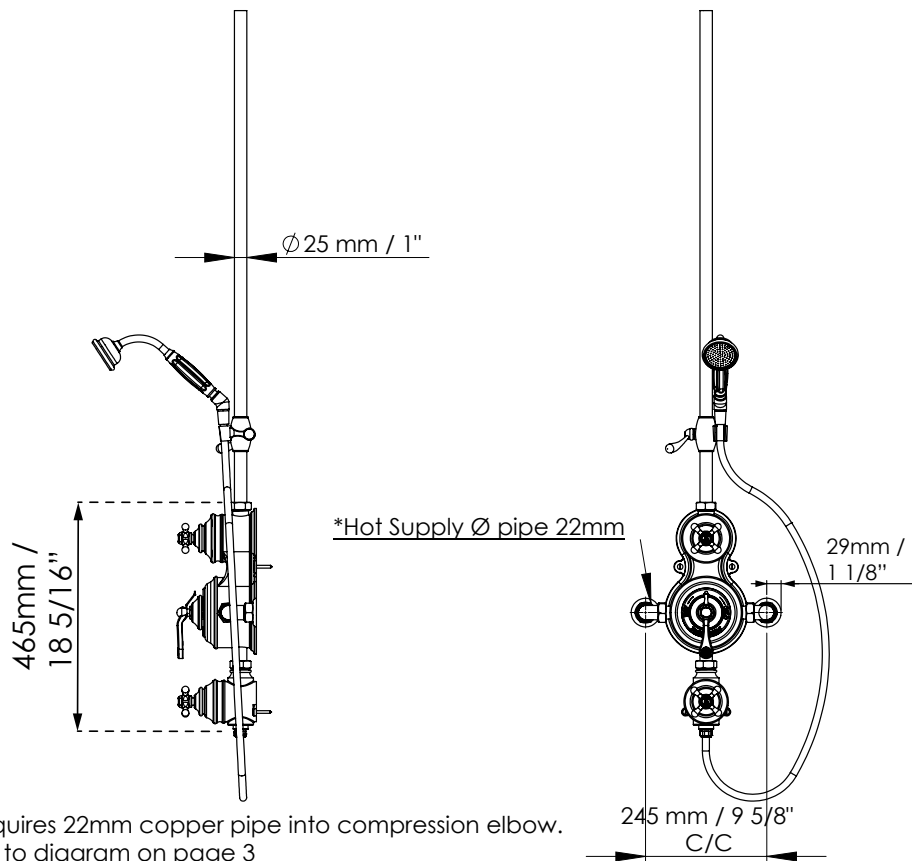
\*Standard feed requires 22mm copper pipe into compression elbow.  
For US version refer to diagram on page 3



DAD1955 Dalby Shower with 45 Degree Arm



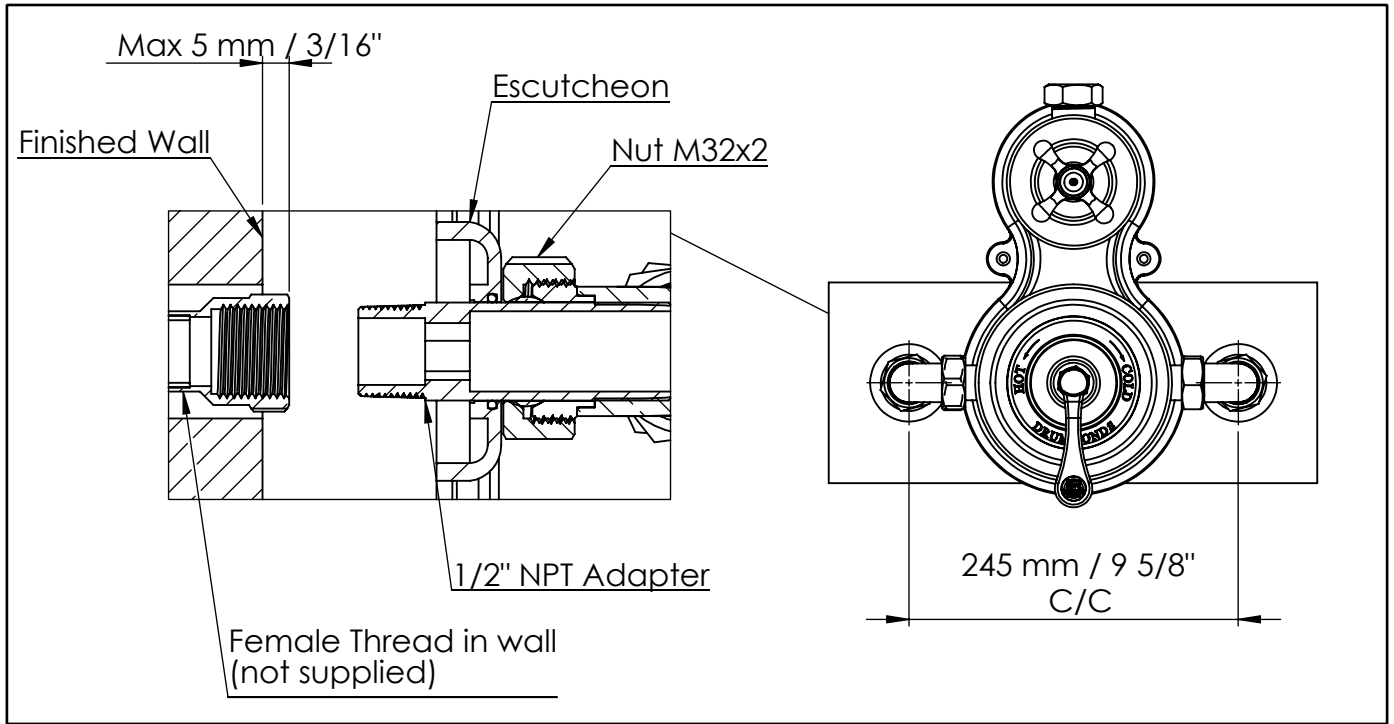
DAD1912 Dalby Hand Shower & On/Off Control



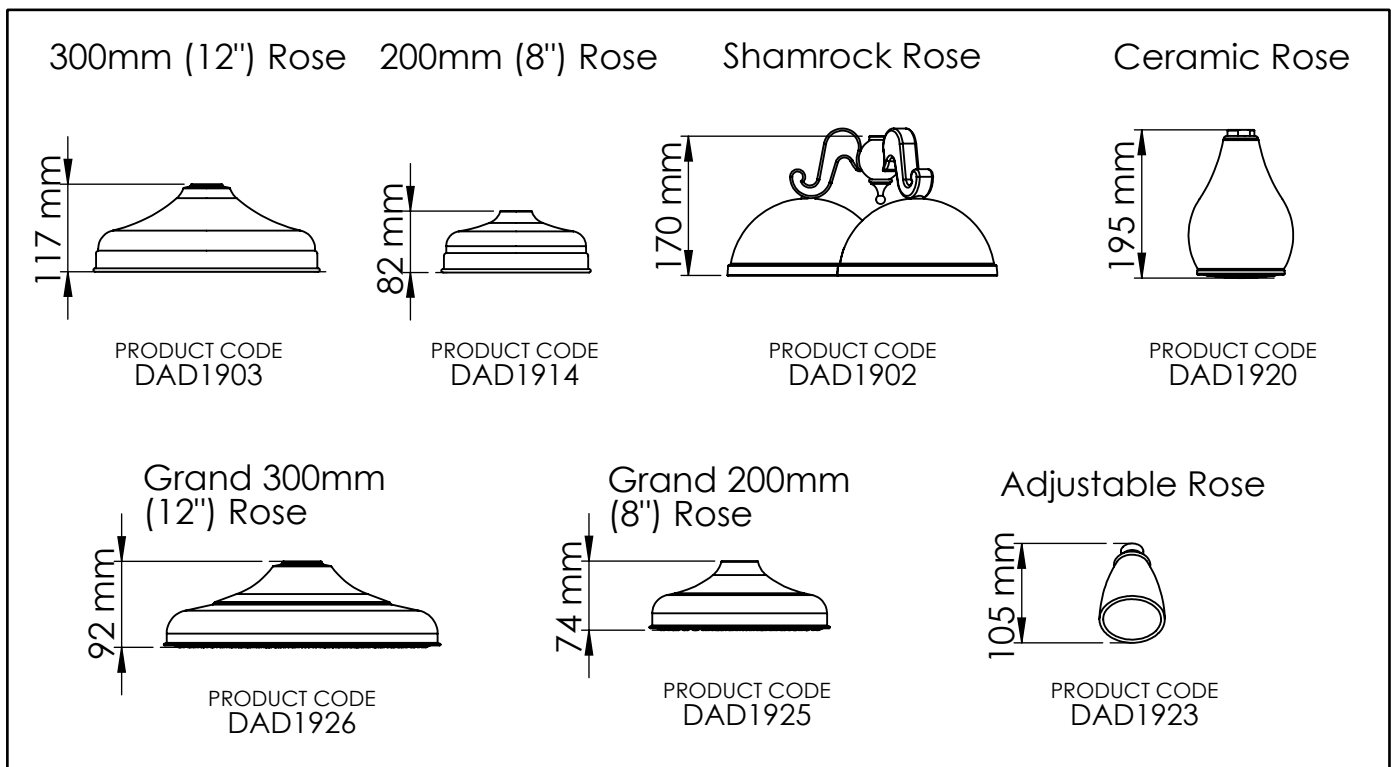
\*Standard feed requires 22mm copper pipe into compression elbow.  
For US version refer to diagram on page 3

TECHNICAL DRAWING

US Version



Shower Rose Options



## DELIVERY & STORAGE INSTRUCTIONS

### TAKING DELIVERY OF YOUR PRODUCTS

- Sign for delivery confirming the number of pallets/boxes received and move products into property or storage area
- Open boxes and wooden crates and check that all components are included in accordance with product drawing
- Check for any damage to the products that may have occurred during transportation
- In accordance with our terms and conditions, report in writing, any damage or missing products within 3 days of delivery.

### PROTECTING YOUR PRODUCTS ON SITE

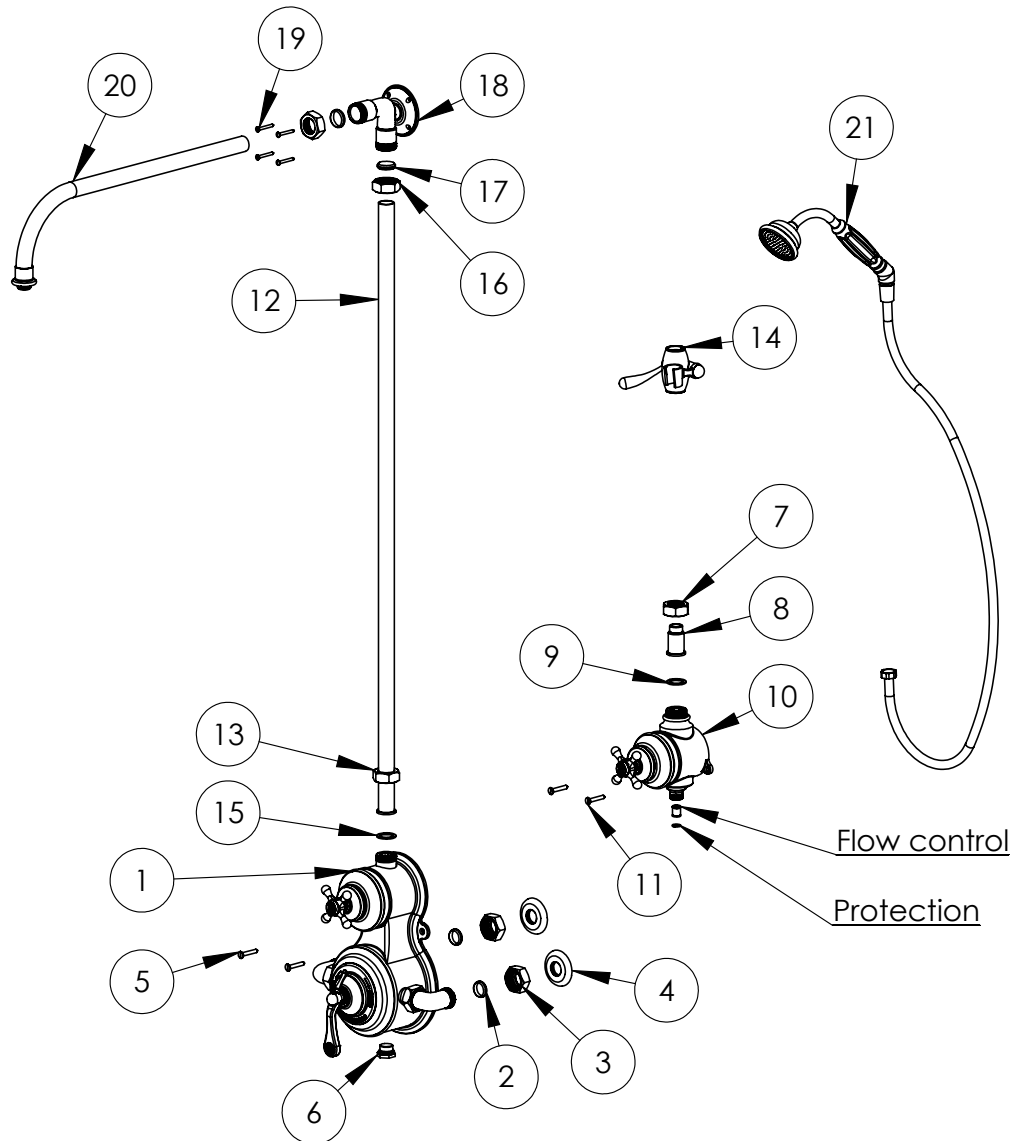
- Taps and fittings should be stored in their original packaging, in a clean and dry environment, at normal room temperature. After inspection, please ensure products are clean and dry before returning to original packaging.
  - Baths should be removed from their wooden crate and stored in a clean environment at normal room temperature. It is very important to protect the bath from damage, in particular the interior enamelled surface and exterior polished surface. Do not put any masking tape onto the exterior of the bath.
  - Towel rails should be removed from their wooden crate and stored in a clean, dry environment at normal room temperature. It is very important that the plated surface of the towel rail is kept clean and dry. Dust, dirt or moisture that is allowed to sit on the plated surface will result in tarnishing, which can permanently damage the product invalidating the guarantee.
  - China sanitaryware should be stored in its original packaging and protected against breakage.
  - Marble should be removed from the wooden crate for inspection and then stored in a clean environment on its long edge, making sure that it is protected against damage.
  - Please follow the care instructions below if you need to clean the products being careful not to use any abrasive or chemical cleaners.
- 

## PREPARING FOR INSTALLATION

- All water fittings should only be installed by a qualified plumbing engineer and comply with current water regulations. Products and connections should remain accessible for routine maintenance. We recommend that isolation and non-return valves are fitted in all installations where appropriate.
- For some of Drummonds' products, in particular cast iron baths, you will need to ensure that you have sufficient people on site to help with the careful lifting of the product.
- Read and follow the installation instructions below and check that you have all of the parts and tools required to install the product properly.
- Drummonds offer a selection of pipework fittings kits to ensure that all visible feeder and waste pipes are installed in the same finish as your Drummonds product. Please contact us if you require assistance specifying the correct kit, which can be delivered in advance of your main order to tie in with your plumbing engineer's first fix.
- For optimal performance, copper pipework should be used for all supply pipes to Drummonds' showers. It may be possible for flexible connections to be used, however this can reduce the flow rate and overall performance.
- Take all necessary precautions to ensure that all parts are properly protected during, and after, installation. Polished and plated surfaces are particularly prone to damage from dirty and incorrect tools; spanners should be suitably lined so as to not damage plated or polished nuts.
- Drummonds' basin and bath taps are designed to operate at up to 3 bar water pressure. Where water pressure exceeds 3 bar, we suggest pressure reducing valves are fitted. For optimum performance, hot and cold water pressure should be correctly balanced.
- To avoid damage to tap or shower cartridges flush your existing hot and cold water system to ensure there is no debris or dirt in the existing pipework prior to commencing installation.
- A build-up of limescale is inevitable on all water fittings and, for hard water areas, we recommend the fitting of a suitable water treatment device.
- When using sealant, only a suitable neutral curing sealant should be used.
- After installation, please ensure the product is operating correctly, that it is clean (in accordance with cleaning instructions below) and protected until completion of all works in the property.
- If you, or your plumbing engineer, require any further advice please call us on the number below.



BLOW OUT DRAWING



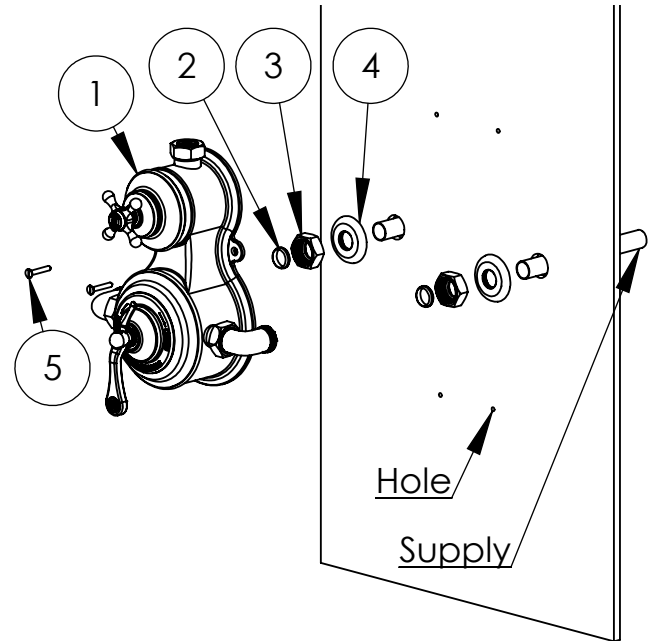
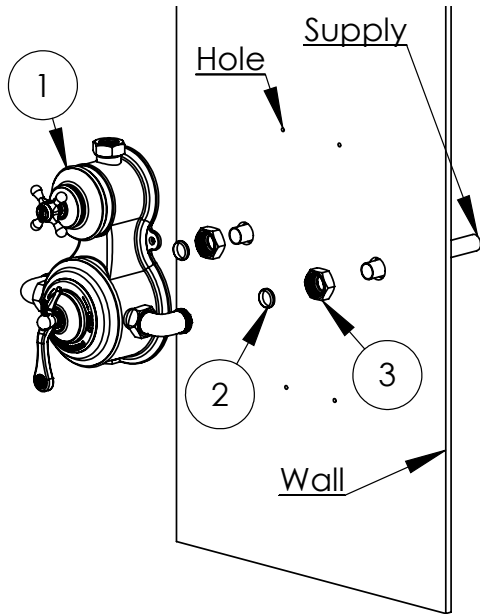
#	Dalby Shower	QTY
1	Control Block	1
2	Olive $\phi$ 22	2
3	Nut M32	2
4	Escutcheon	2
5	Screw M12x1 1/2" Flat	2
6	Plug	1
12	Pipe	1
13	Nut	1
15	Washer	1
16	Nut	2
17	Olive $\phi$ 25	2
18	Washer	1
19	Screw M8x1 1/2"	4
20	Straight Pipe	1

#	Dalby Handshower	QTY
7	Nut	1
8	Adapter	1
9	Fibre Washer	1
10	On/Off Control	1
11	Screw M8x1 1/2"	2
14	Cradle	1
21	*Handset	1

\*Shower Hose Length 1.2m / 47 1/4"

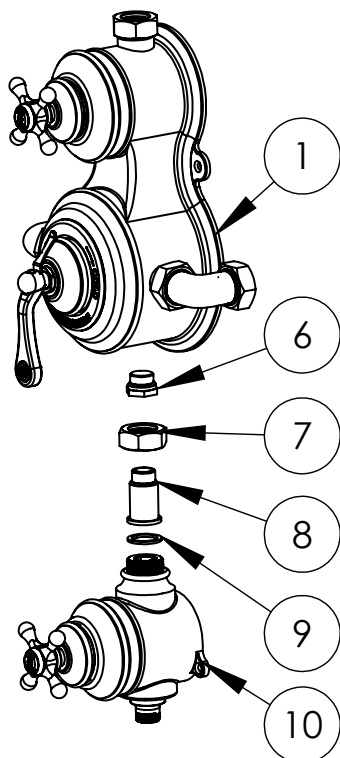


INSTALLATION INSTRUCTIONS

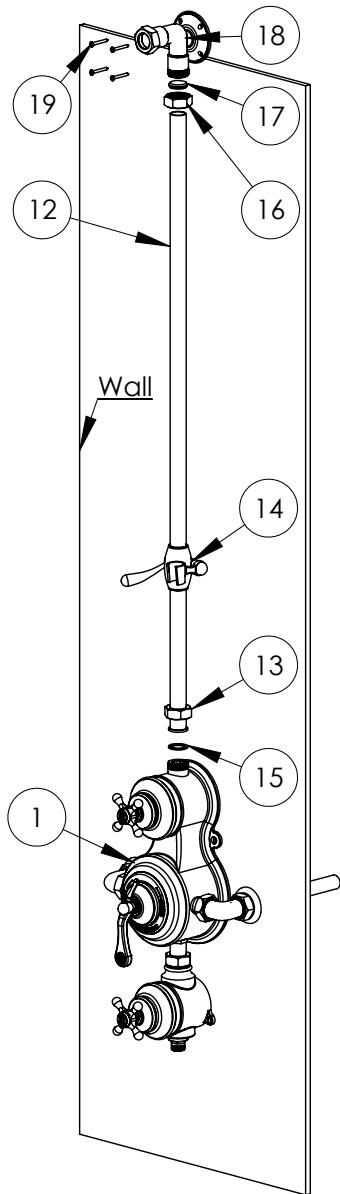


1. Fix control block (1) to previously prepared water supply using olives (2) and nuts (3). For the US connect 1/2" threaded adapter into wall and use olives (2) and nut (3) to connect to the adapter. Do not tighten the nuts. Check that the control block (1) is level and mark fixing holes on wall. Remove the control block and drill holes.

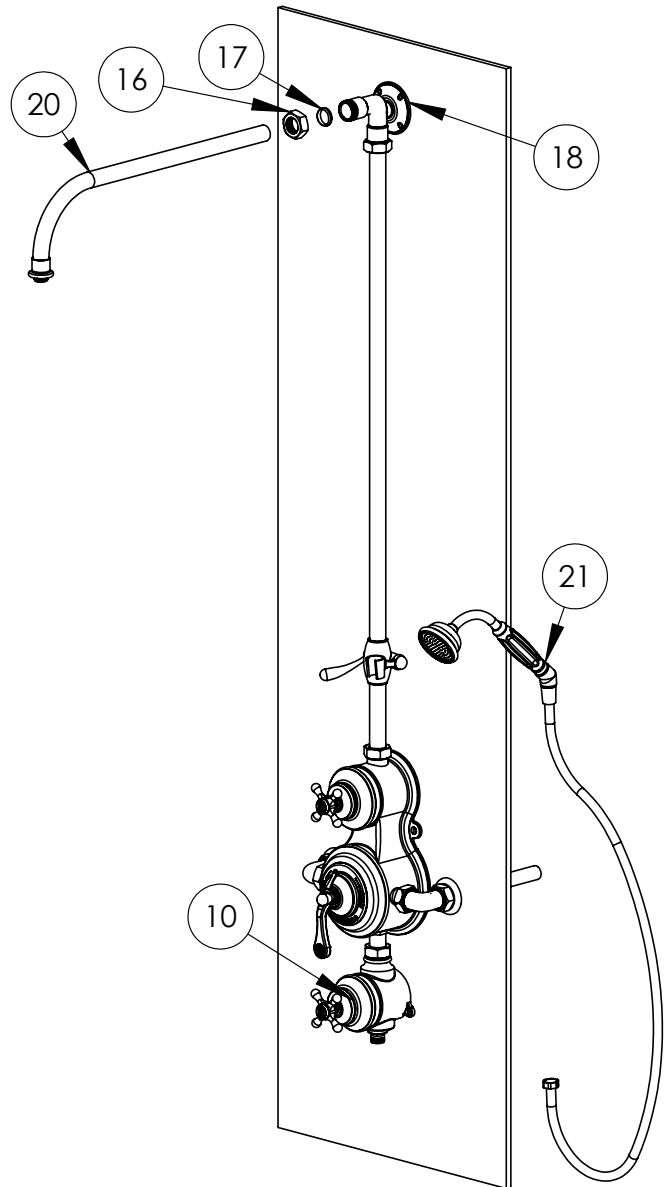
2. Place escutcheon (4) on water supply. Fix control block (1) to water supply using olives (2) and nuts (3) (and US adapter if required). Fix control block to wall using screws (5).



3. For Dalby Handshower & On/Off Control (DAD1912), Unscrew plug (6), from control block (1). Apply nut (7) on adapter (8) and connect it to the control block (1). Screw diverter (10) to control block (1) using washer (9) and nut (7).

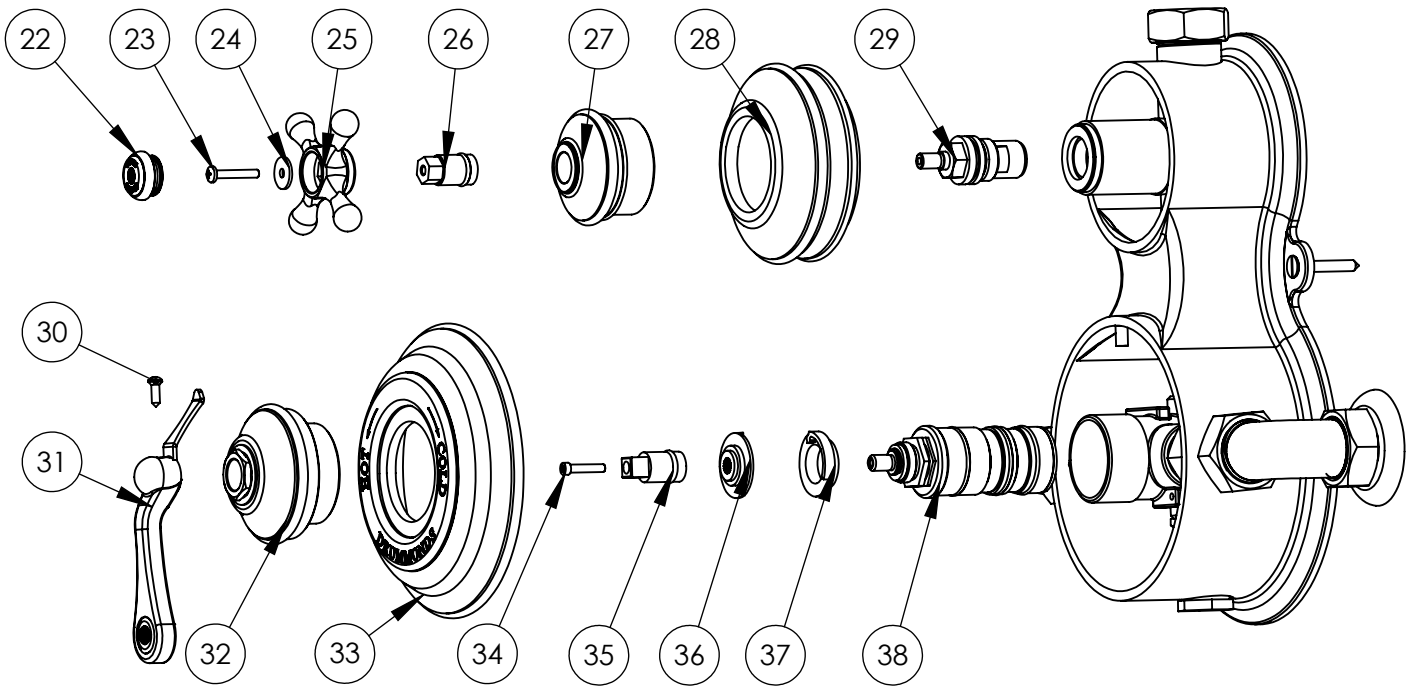


4. Determine the height of the wall plate (18) and cut pipe (12) if required. Put the cradle (14) on the pipe (12). If you haven't already, connect pipe (12) to control block (1) using washer (15) and nut (13). Fix wall plate (18) to pipe (12) using olive (17) and nut (16). Screw plate (18) to wall using screws (19).



5. Fix pipe (20) to wall plate (18) using olive (17) and nut (16). Make sure the pipe is level. Tighten all connections and check for leaks. Screw handset (21) to on/off control (10).

Cartridge Maintenance



#	NAME	QTY
22	Porcelain Seat	1
23	Bolt M4x25	1
24	Washer	1
25	Tap Handle	1
26	Tap Shaft	1
27	Tap Shield	1
28	On/Off Cover	1
29	On/Off Valve	1
30	Screw M4	1

#	NAME	QTY
31	Tap Handle	1
32	Tap Shield	1
33	Thermostat Cover	1
34	Bolt M4x20	1
35	Tap Shaft	1
36	Brass Plate	1
37	Plastic Stop	1
38	Thermostatic Cartridge	1

Accessing On/Off Cartridge:

1. Carefully remove ceramic disc & brass socket (22)
2. Remove tap head (24) and spindle (25) by unscrewing bolt (23)
3. Unscrew retaining collar (26) and remove collar (27)
4. Check / clean / replace cartridge (28) as necessary
5. Reassemble the components

Accessing Thermostatic Cartridge

1. Remove lever handle (30) by unscrewing grub screw (29)
2. Unscrew retaining collar (31) and remove collar (33)
3. Remove spindle (35) by unscrewing bolt (32)
4. Remove brass plate (36) and plastic stop (37)
5. Check / clean / replace cartridge (38) as necessary



**FLOW RATES**

Product Code	Dynamic Pressure (Bar)	Mixed Flow Rate (L/M)
Dalby Surface Mounted Showers:	0.5	13.34
DAD1953	1.0	19.24
DAD1954	1.5	23.36
DAD1955	2.0	27.08
	2.5	29.96
	3.0	32.98
	3.5	35.19
	4.0	37.66
	4.5	39.99
	5.0	42.13

Flow rates have been measured in accordance with the recommended installation parameters, with a balanced dynamic pressure (bar) recorded at the shower valve inlet.

**Dynamic v Static Pressure**

Static pressure is the water pressure that exists at a fitting when no flow is taking place (tap is in closed position).

Dynamic pressure is measured with the valve open and the water flowing. As a result the Dynamic pressure will be a lower figure than the static pressure.

Whilst a tap is in the closed position, the static pressure may be 3 bar, however once the tap is opened the pressure may drop to 0.8 bar or less, as the supply pressure fluctuates.

Ref. [www.bathroom-academy.co.uk](http://www.bathroom-academy.co.uk)

**Notes:**

- UK Dalby Handshower is fitted with a 12 l/m flow restriction (1.8g/m for US Version)
- US Shower Arms are supplied with a 2.0g/m flow restriction

To achieve optimal performance from your shower rose, we would recommend the following minimum flow rates for each Drummonds' shower rose. Please refer to the applicable flow rate information when considering your shower set up and valve combination.

12 L/M (3.17 US gallons)	18 L/M (4.75 US gallons)	24 L/M (6.34 US gallons)
DAD1914EC 200mm (8") Easy Clean DAD1923 Adjustable Rose	DAD1903EC 300mm (12") Easy Clean DAD1914 200mm (8") DAD1920 Ceramic Tear Drop DAD1925 Chessleton 200mm (8")	DAD1903 300mm (12") DAD1926 Chessleton 300mm (12")



## CARE & MAINTENANCE

A Drummonds' bathroom product is designed to give you years of faultless service and, if you follow the instructions below, will continue to look stunning for many years. All Drummonds' bathroom products are guaranteed for 1 year from the date of purchase against manufacturing defects. The guarantee does not cover faults caused by incorrect installation, neglect, misuse, wear & tear, inappropriate cleaning or damage caused by the build-up of limescale. Please see Drummonds' T&C's for further details of the product guarantee.

### GENERAL USE

To help prevent limescale build-up and water marks, all surfaces should be wiped dry after use. Only mild, non-abrasive cleaning products should be used followed by rinsing and drying with a soft cloth.

### POLISHED BRASS PRODUCTS

All Drummonds taps and fittings are made from 100% brass, which can be supplied in a polished finish that is not lacquered. Polished brass will tarnish very quickly, especially in the bathroom where it is exposed to moisture. If you wish to maintain a shiny brass finish, regular polishing with an appropriate metal polish such as Brasso will be required.

### POLISHED CHROME OR NICKEL PRODUCTS

Wipe off any water marks after use with a soft cloth or towel. Clean on a regular basis with a mild non-abrasive bathroom cleaner, again taking care to dry the product with a soft cloth or towel. For stubborn stains, particularly in hard water areas, remove with Brasso. Nickel products will require periodic polishing with Brasso, otherwise they will develop an aged patina similar to silverware.

### SHOWER HEADS AND ROSES

Clean and descale on a regular basis, paying particular attention to the holes in the shower head to ensure that they don't become blocked. Remove and clean the thermostatic cartridge on a periodic basis to prevent permanent damage from limescale.

### CAST IRON BATHS AND SHOWER TRAYS

The interior of a Drummonds' bath or shower tray is enameled with dry frit vitreous enamel which is very hardwearing and durable. To maintain the soft shine on the surface of the enamel rinse the bath out after each use, making sure that you get rid of any gritty deposits, and then dry it with a soft cloth or towel. To remove marks or dirt use a non-abrasive bathroom cleaner which is safe for use on enameled surfaces (please see the Vitreous Enamel Association website for guidance on suitable cleaners [www.vea.org.uk](http://www.vea.org.uk)). It is very important to ensure that a dripping, or leaking, tap is repaired immediately to prevent the enamel being permanently damaged.

### BATH EXTERIOR

Caring for the exterior of your bath or shower tray is dependent on the finish of your bath:

- A raw, primed or painted exterior does not require any particular maintenance, other than occasional cleaning to maintain the appearance. If the exterior becomes scratched, exposing the cast iron below, it must be treated immediately with a suitable rust inhibitor, followed by a metal primer and paint finish to seal the exterior.
- A polished and lacquered exterior is a beautiful finish but it must be treated very carefully to avoid scratching especially when moving the bath into position. If the exterior does become scratched, please call Drummonds immediately so that we can advise on the best course of action. In general use the polished exterior should simply be wiped down with a soft cloth. Never use any kind of bathroom cleaner on the exterior of your bath. Care should also be taken when cleaning the floor around the bath, particularly with a skirted bath, not to allow floor cleaner to splash or rub on the bath, as it may damage the lacquer which protects the bath from rusting.

### CHINA SANITARYWARE

Clean on a regular basis with a mild, non-abrasive bathroom cleaner to prevent the buildup of dirt and limescale. Ensure that dripping taps are repaired quickly to avoid the surface of the china becoming stained.

### MARBLE VANITY BASINS

A Drummonds' marble vanity basin is a natural product which is hand polished and sealed in the factory. Clean the surface of the marble after use with a soft cloth, making sure that you dry the surface to prevent water marks developing on the marble. We would recommend Lithofin Easy Care which is a daily cleaner / conditioner designed for natural stones. Under no circumstances use any kind of bathroom cleaner or limescale remover on the surface of the marble. To prevent staining, it is important to ensure that any cosmetics, including shampoo, are wiped off the surface immediately.

### WOODEN LOO SEATS

Clean after use with a damp soft (non-abrasive) cloth and dry immediately. Never use a bathroom cleaner on your loo seat as this is likely to strip off the varnish invalidating the guarantee. Use a high quality furniture wax polish occasionally such as Mylands Wax - Natural and apply in accordance with the manufacturers' instructions. Under no circumstance stand on your loo seat. Replace bumpers when perished as these can mark and stain the toilet seat.

