

* The width may be reduced on site by cutting the unthreaded end of the bar



DAD2029

Colvin Towel & Grab Rail

2

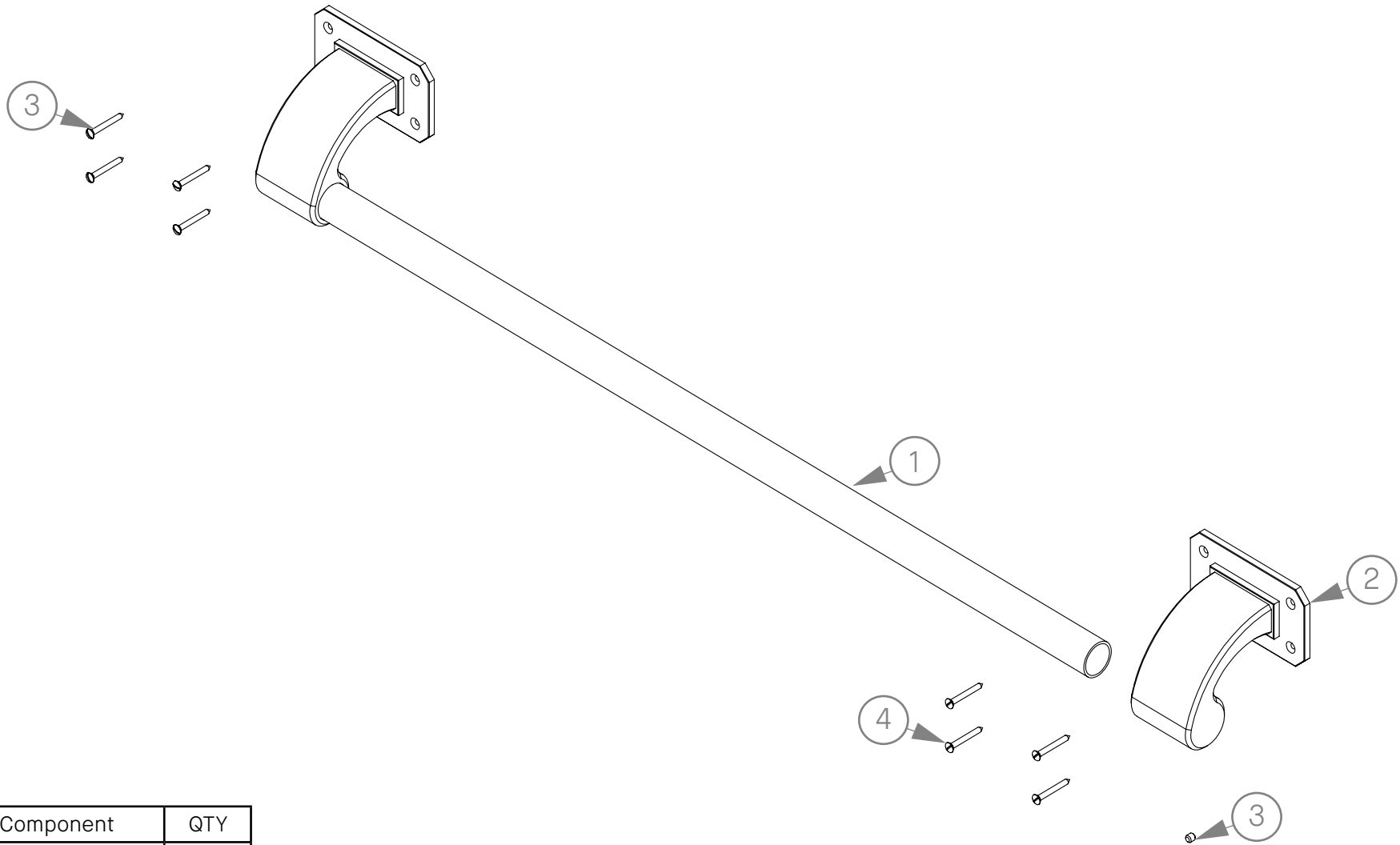
14 Nov 2025

Product Code

Product

Version

Date



#	Component	QTY
1	Towel Bar	1
2	Bracket	2
3	Brass Screws M8 1-1/2" (DAF109)	8
4	Grub Screw M6x6	1

BLOW OUT DRAWING



DAD2029

Colvin Towel & Grab Rail

2

14 Nov 2025

Product Code

Product

Version

Date