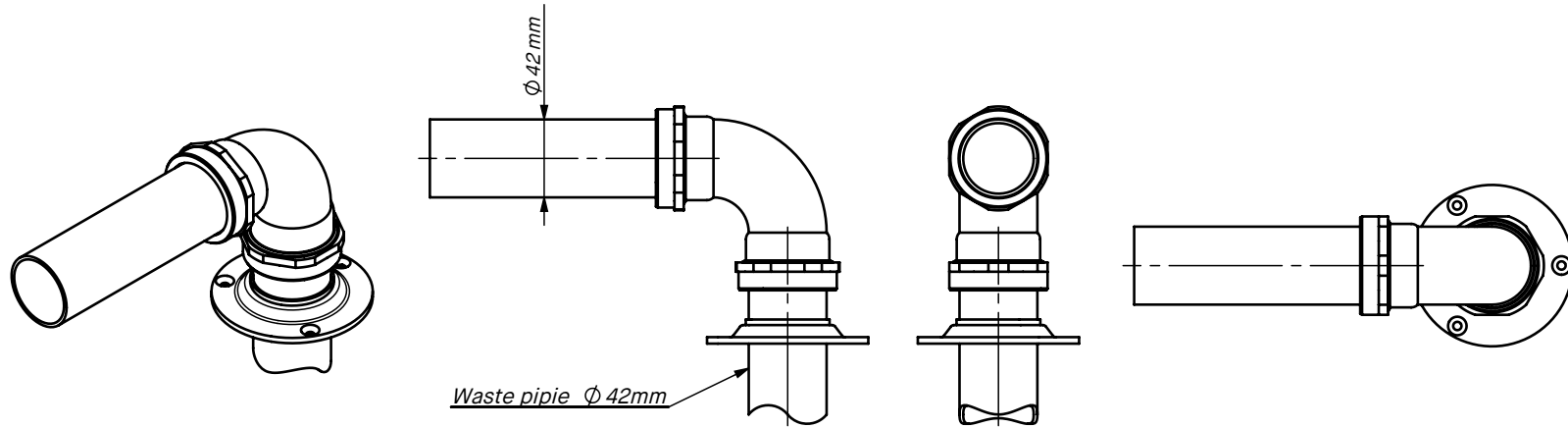
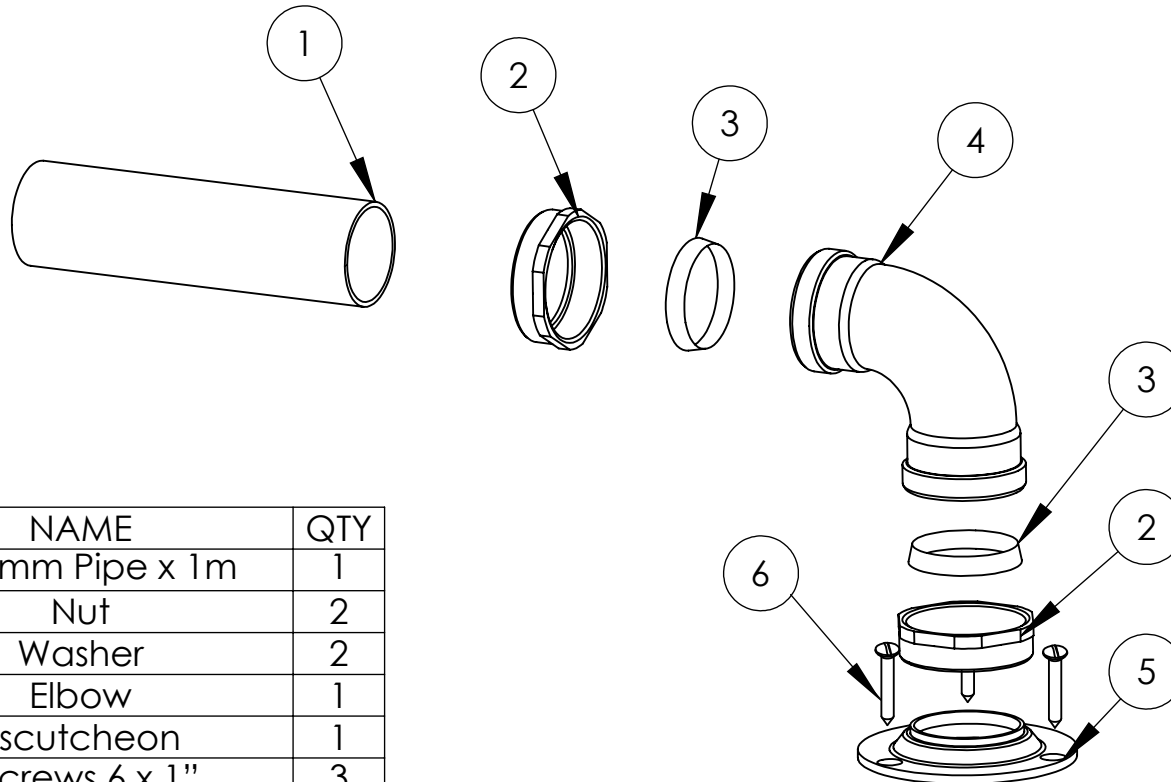


Technical Drawing



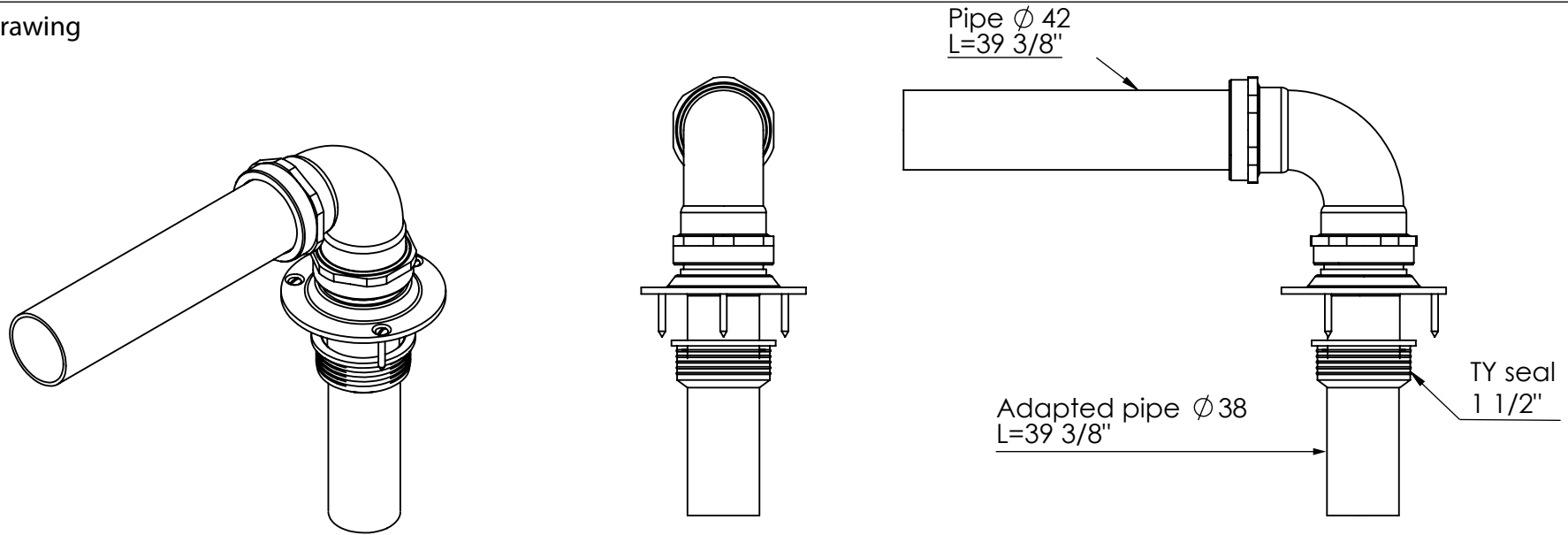
Note: This product is not suitable for use with plastic 42mm pipework. Waste pipes in the floor should be copper.

Blow Out Drawing

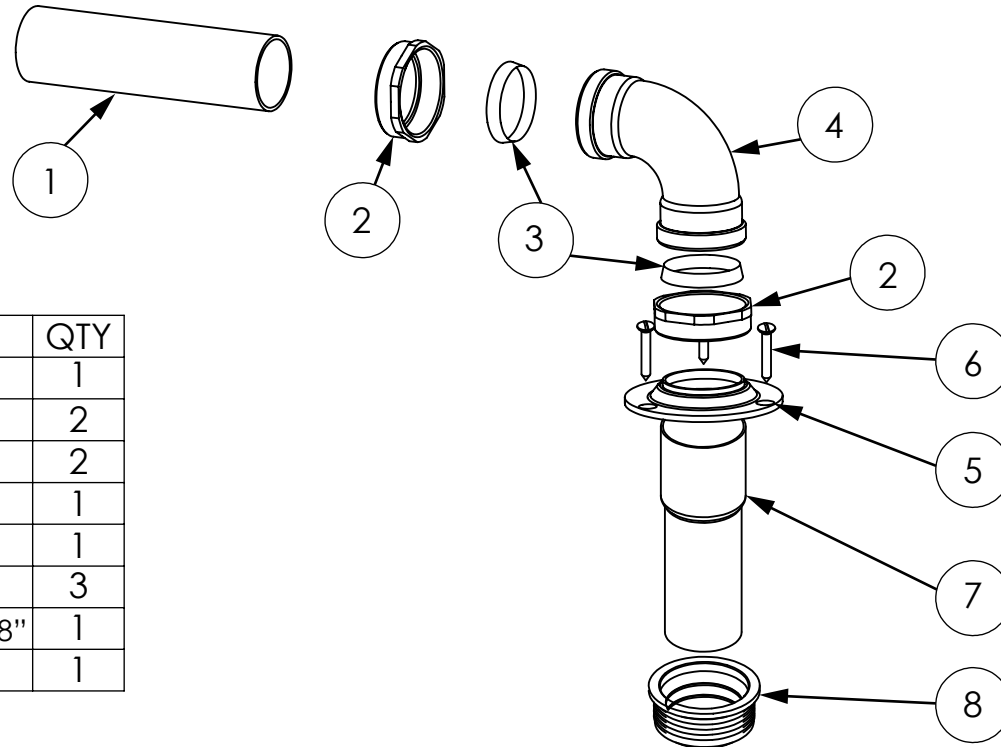


#	NAME	QTY
1	42mm Pipe x 1m	1
2	Nut	2
3	Washer	2
4	Elbow	1
5	Escutcheon	1
6	Screws 6 x 1"	3

Technical Drawing



Blow Out Drawing



#	NAME	QTY
1	42mm Pipe x 1m	1
2	Nut	2
3	Washer	2
4	Elbow	1
5	Escutcheon	1
6	Screws 6 x 1"	3
7	Adapted Pipe Ø38 L=39 3/8"	1
8	TY Seal 1 1/2"	1