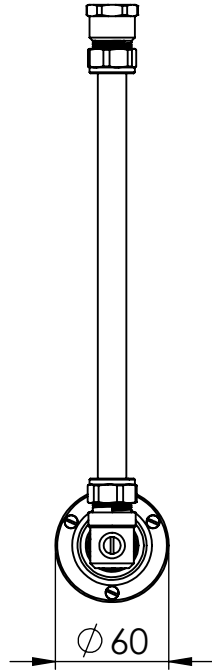
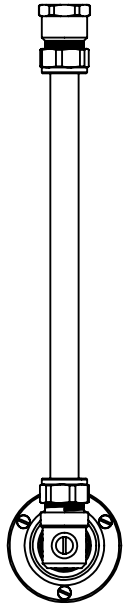
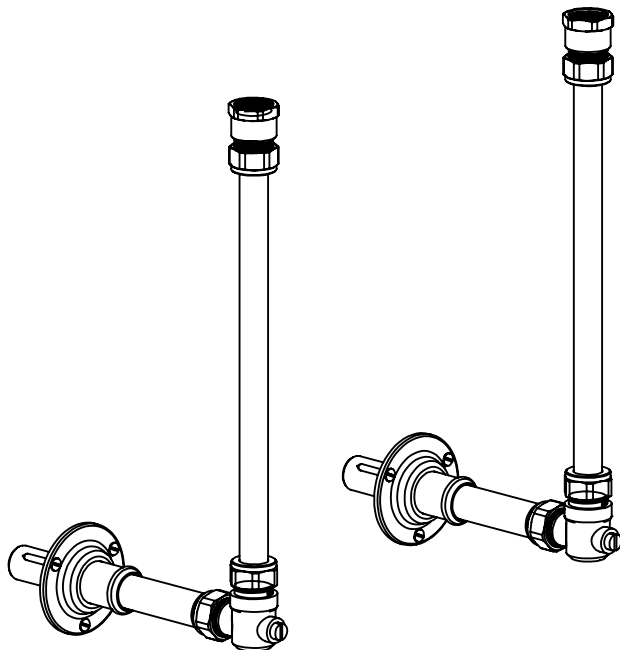
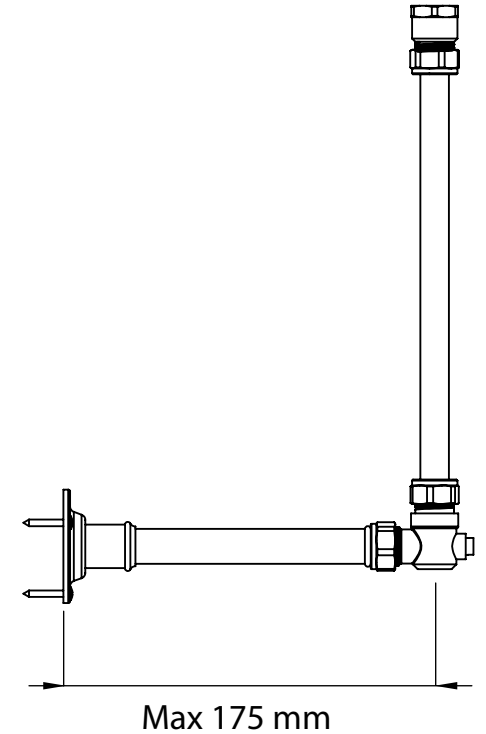
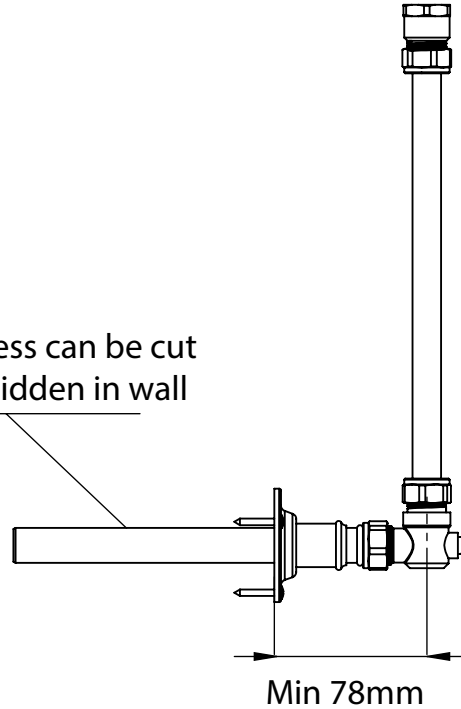


# DAD3063 - Basin Pipework & Wall Fixing Set

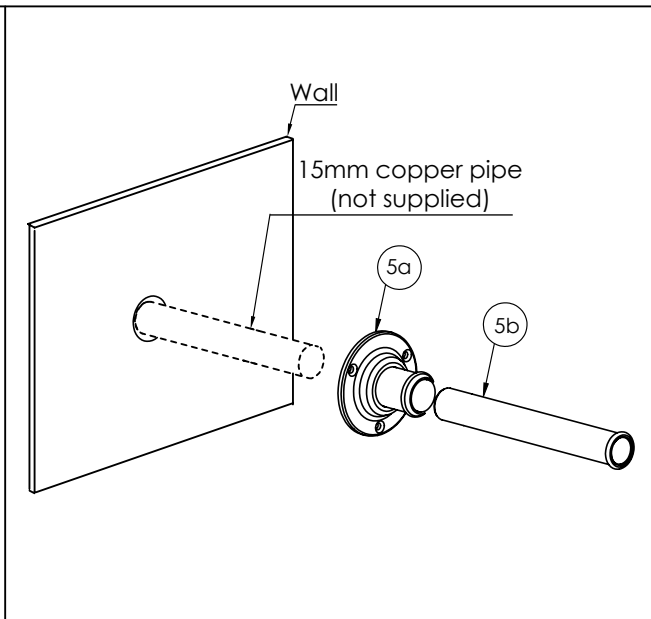


Excess can be cut  
or hidden in wall



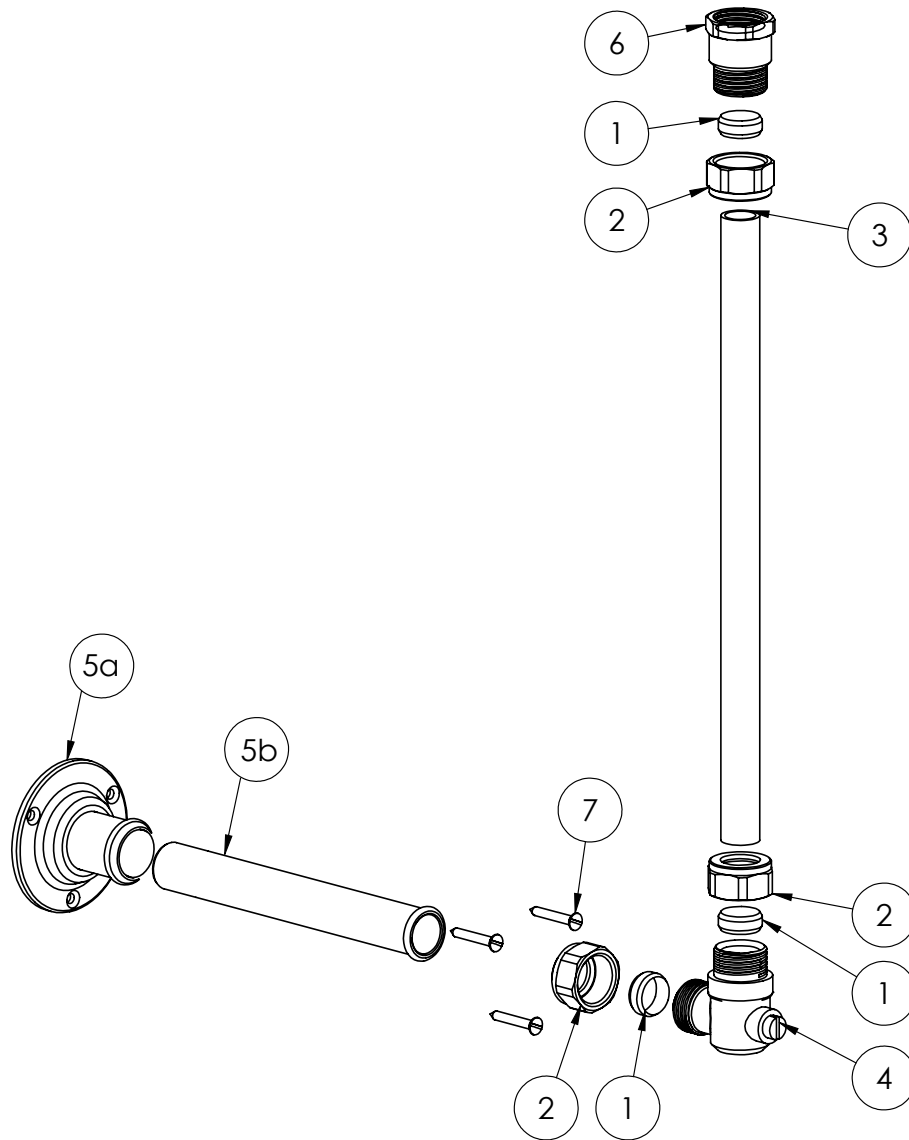
## Installation:

1. 15mm copper pipe (not supplied) to be set protruding from wall, at length required to reach centre of the taps
2. Slide extendable escutcheon over copper pipe
3. Check length required and cut/hide any excess pipe cover (5b)
4. Connect 15mm copper pipe to elbow
5. Fix escutcheon to wall
6. Slide pipe cover over the 15mm pipe, up to elbow



# DAD3063 - Basin Pipework & Wall Fixing Set

## Blow Out Drawing



### Notes:

- Designed to work with Drummonds' Vanity Basins
- 15mm copper feed pipe required out of the wall (not supplied)

#	NAME	QTY	CODE
1	Olive $\phi$ 15mm	6	Part of DAF039 DAF005
2	Nut	6	
3	Pipe $\phi$ 15mm	2 x 0.5m	DAF023
4	15mm Ball-o-Fix Compression Elbow	2	DAF039
5	Extendable Escutcheon: 5a - Escutcheon 5b - Pipe cover	2	-
6	15mm x 1/2" Female Coupler	2	DAF005
7	Woodscrew 6x1"	6	DAF107