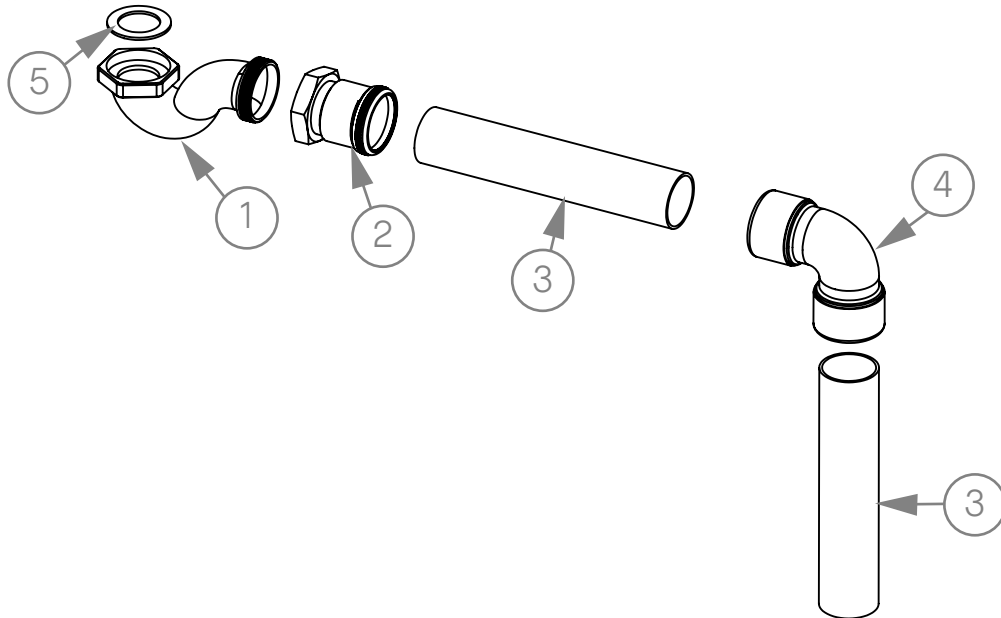


**NOTE:**

- Wall plate / escutcheon not included. See Drummonds bath waste.
- This product is not suitable for use with plastic 42 mm pipework. Waste pipes in the floor should be copper.

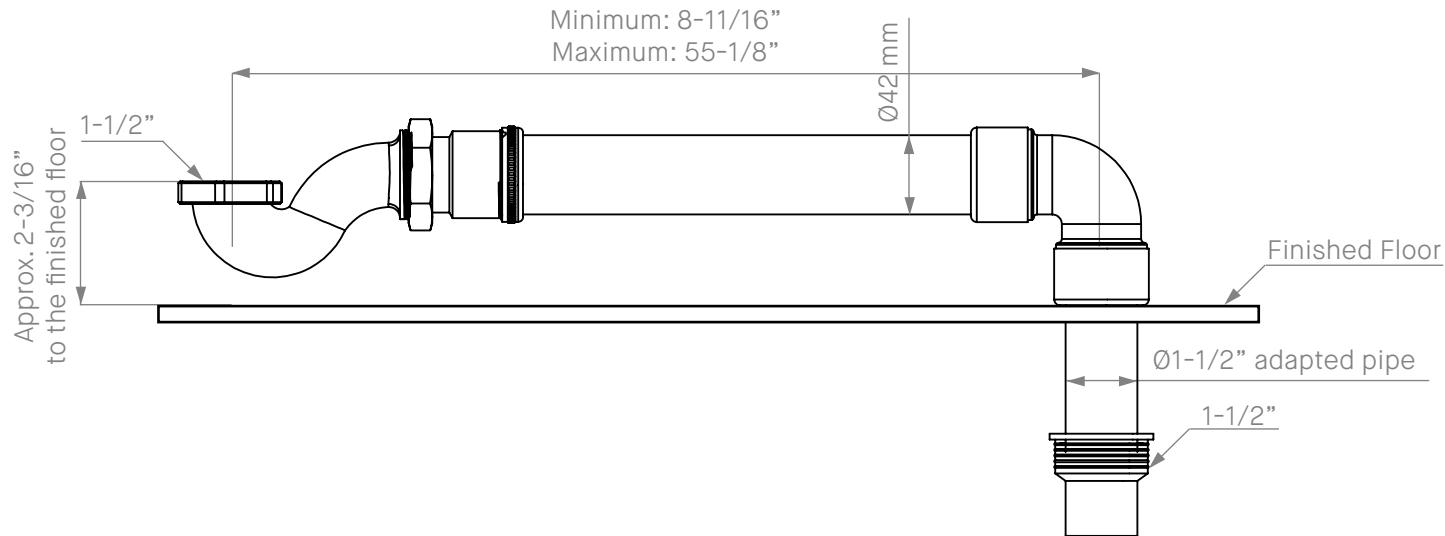
**BLOW OUT DRAWING**



#	COMPONENT	QTY	CODE
1	42 mm Shallow Bath Trap	1	DAD1227
2	Coupling 42 mm	1	
3	Pipe Ø42 - Combined length 1000 mm	1	DAF027
4	42 mm Compression Elbow	1	DAF022
5	Gasket	1	

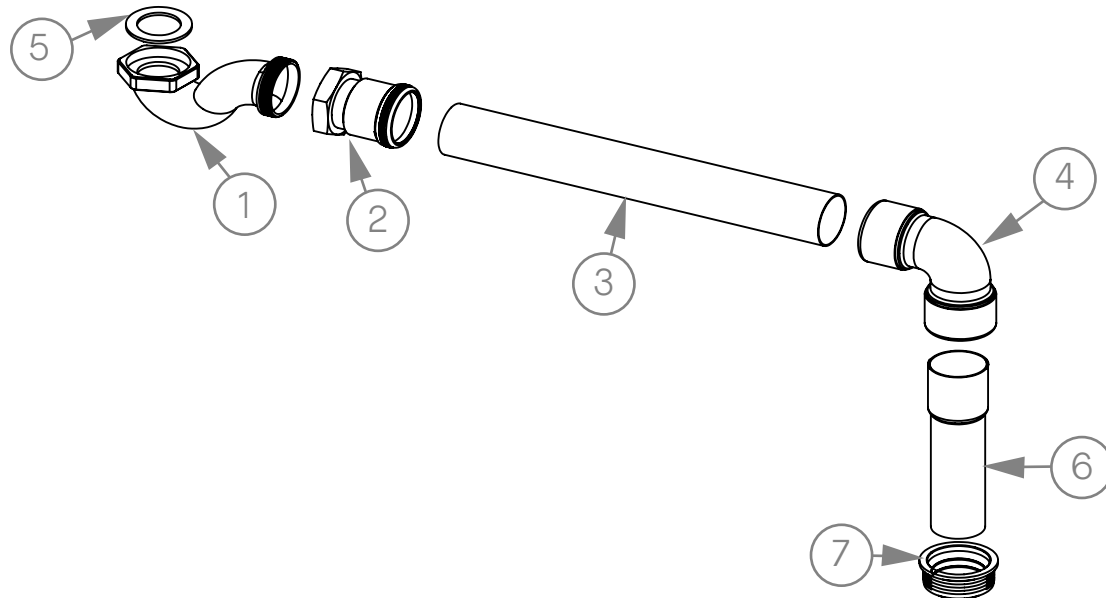
TECHNICAL DRAWING

DAD3066US



- NOTE:**
- Wall plate / escutcheon not included. See Drummonds bath waste.
  - This product is not suitable for use with plastic 42 mm pipework. Waste pipes in the floor should be copper.
    - Adapted pipe (6) can only be cut at one end.

TECHNICAL DRAWING



#	COMPONENT	QTY	CODE
1	1-1/2" Shallow Bath Trap	1	DAD1227
2	Coupling 1-1/2"	1	
3	Pipe Ø42 Combined length 39-3/8"	1	DAF027
4	1-5/8" Compression Elbow 90°	1	DAF022
5	Gasket	1	
6	Adapted pipe Ø38 Length 39-3/8"	1	DAF101
7	TY Seal	1	TYSEAL