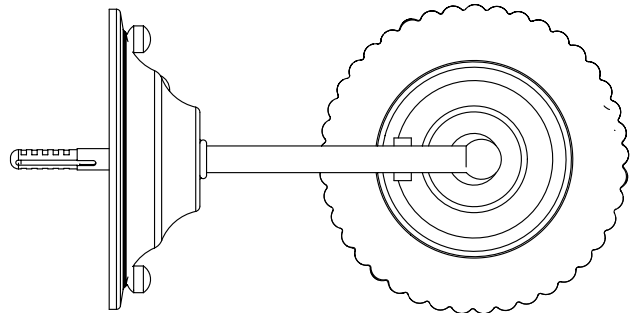
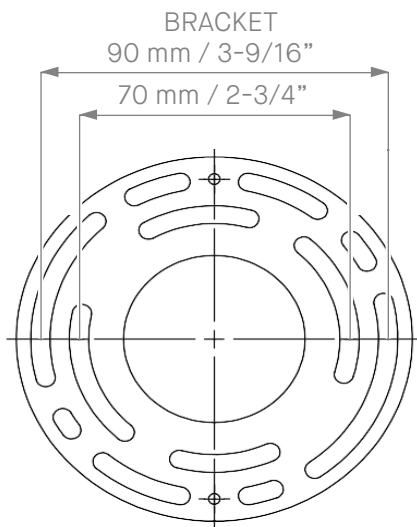
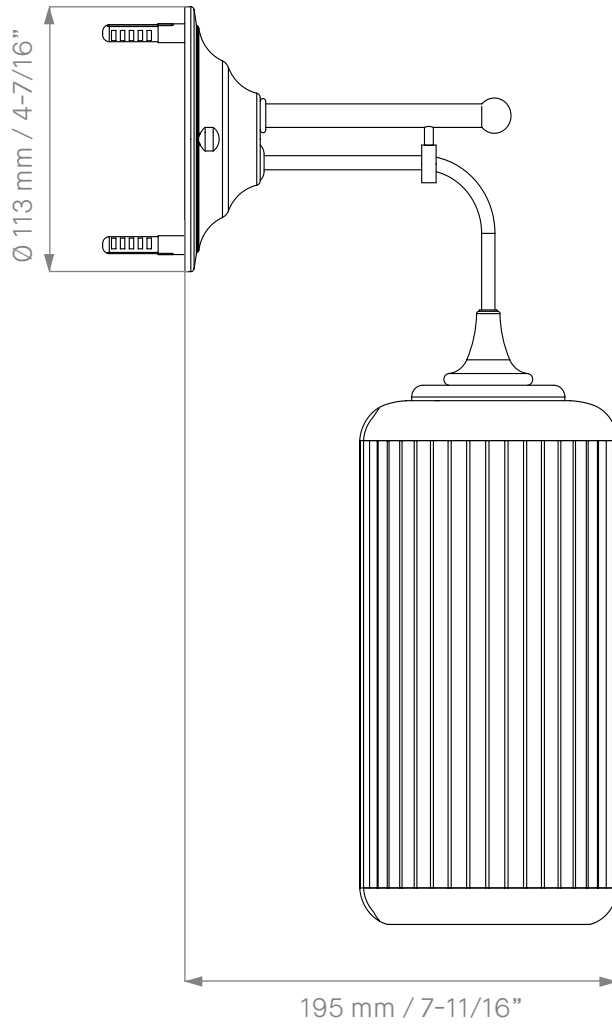
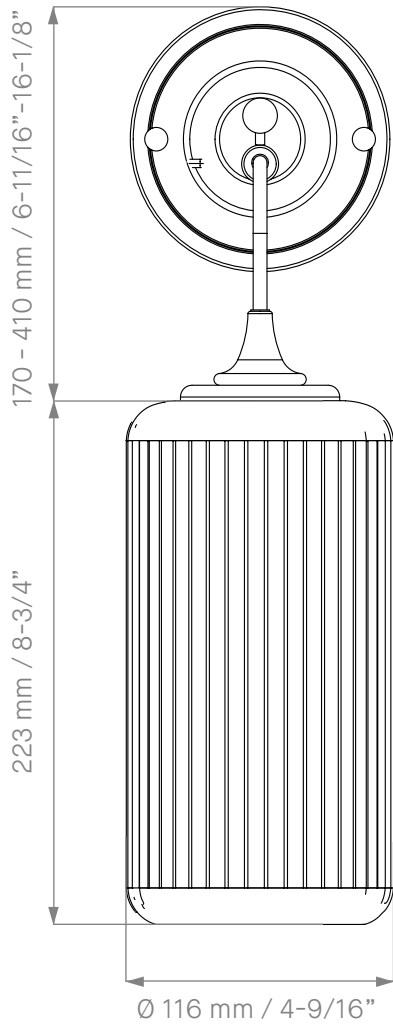


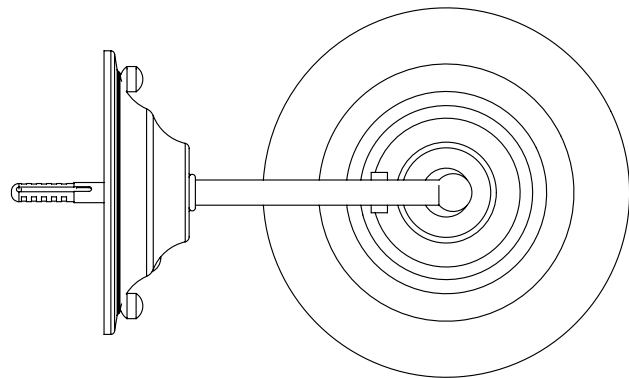
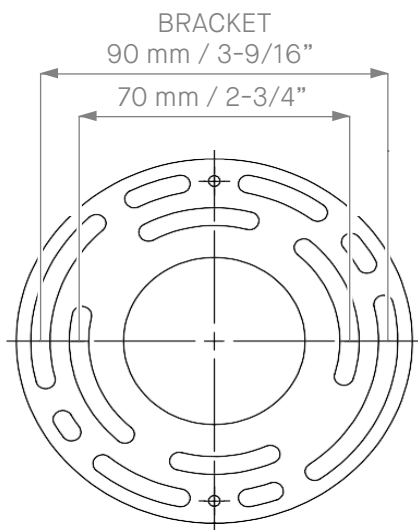
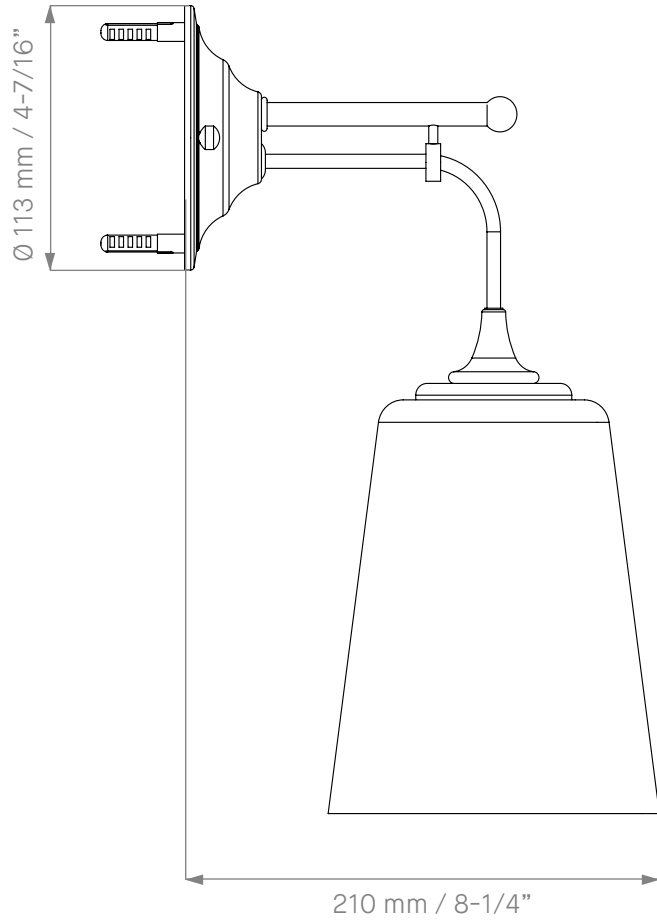
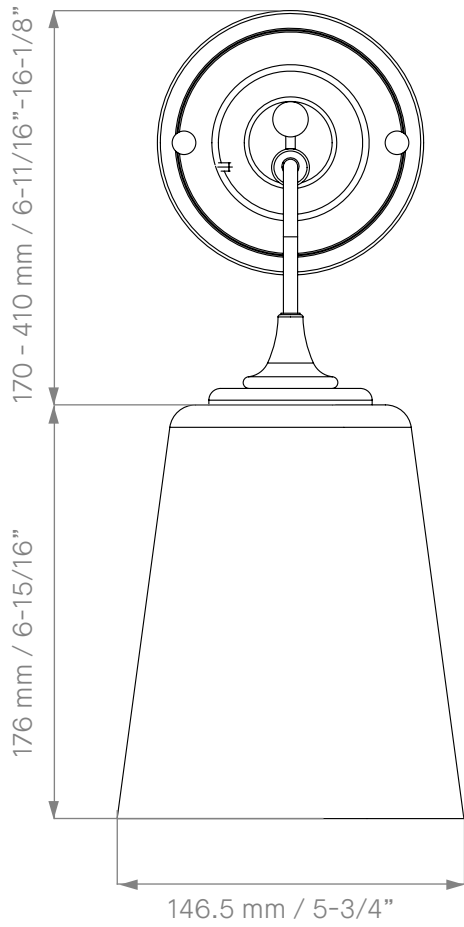
TECHNICAL DRAWING  
DAD8035 FLUTED GLASS SHADE

DAD8035, DAD8036, DAD8037



TECHNICAL DRAWING  
DAD8036 CLEAR CONICAL GLASS SHADE  
DAD8037 ANTIQUE CONICAL GLASS SHADE

DAD8035, DAD8036, DAD8037



## TAKING DELIVERY OF YOUR PRODUCTS

- Sign for delivery confirming the number of pallets/boxes received.
- Open boxes and crates checking that all components are included, in accordance with product drawing and delivery note.
- Check for any damage to the products that may have occurred during transportation.
- If there is any visible sign of damage to the crate/shipping packaging, please follow these steps:
  - I. Sign for the goods as damaged
  - II. Take pictures of the goods/damage whilst on the delivery vehicle and after unloading.
  - III. Please keep all packaging intact as this may be required for part of the claims process.
- In accordance with our terms and conditions, report in writing, any damage, or missing products within 3 working days of delivery.

## PROTECTING YOUR PRODUCTS ON SITE

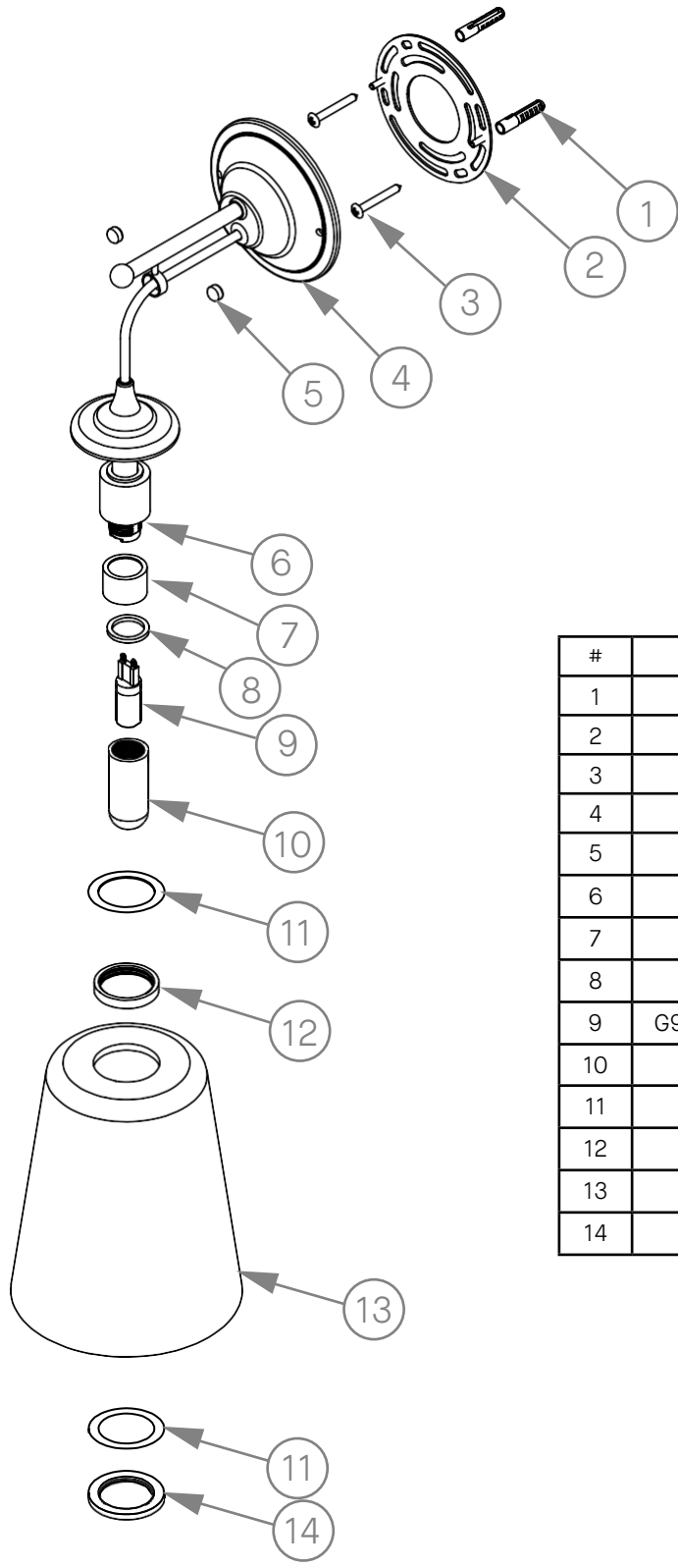
- Upon delivery of your order, please ensure that all items are inspected, clean and dry at normal room temperature before returning to original packaging, until installation.
- Please follow the care instructions if you need to clean the products, being careful not to use any abrasive or chemical cleaners.

## PREPARING FOR INSTALLATION

- Please read and follow the installation instructions carefully for each product and check that you have all of the components and tools required to carry out correct installation.
- Polished and plated surfaces are particularly prone to damage from dirty and incorrect tools; spanners should be suitably lined to prevent damage to plated surfaces.
- Plastered, painted or papered surfaces must be completely dry before installation to avoid the possibility of damage or discolouration to the luminaire.
- The fitting is suitable for a G9 LED bulb (not supplied). Halogen bulbs should not be used due to the possible high product temperatures that can result.
- After installation, please ensure that the product is operating correctly and is clean (in accordance with the Care & Maintenance instructions below) and protected until completion of all works in the property.

## YOUR CHOSEN FINISH

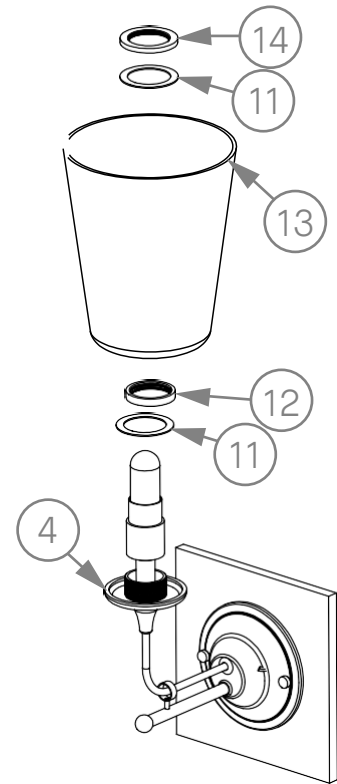
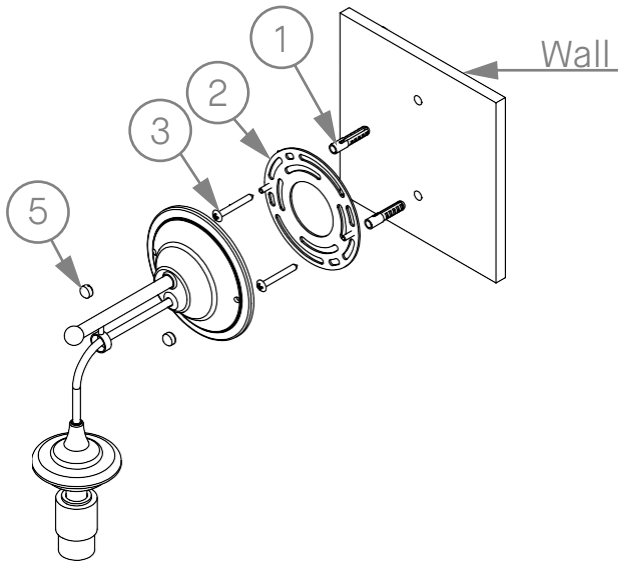
- The light arm fitting is finished in one of brassware finishes. We do not lacquer our brassware, allowing the live surface to age and wear naturally in the traditional way. The speed of change will be dependent on the environment (heat and moisture). Please see the 'Bespoke Special Finish' section on our website for more information.



#	COMPONENT	QTY
1	Rawl Plug	2
2	Bracket	1
3	Screw	2
4	Light Arm Fitting	1
5	Decorative Nut	2
6	Ceramic Lamp Holder	1
7	Metal Cover	1
8	Washer	1
9	G9 LED Bulb (Not Supplied)	1
10	Glass Bulb Cover	1
11	Washer	2
12	Brass Spacer	1
13	Shade	1
14	Nut	1

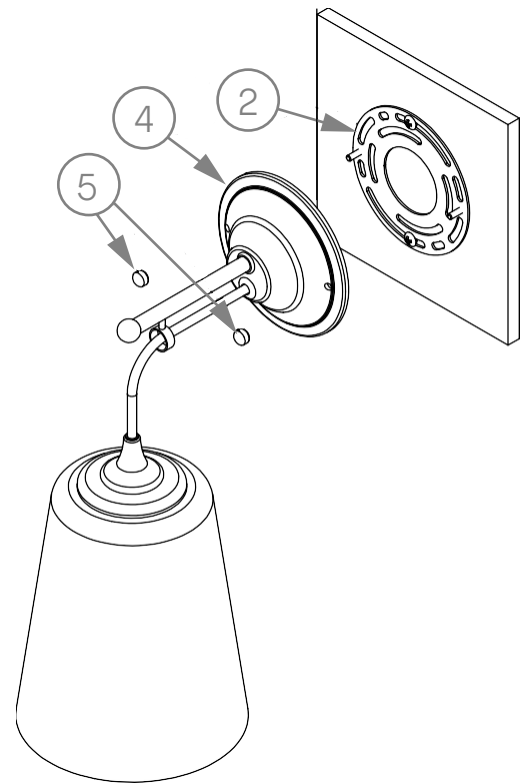
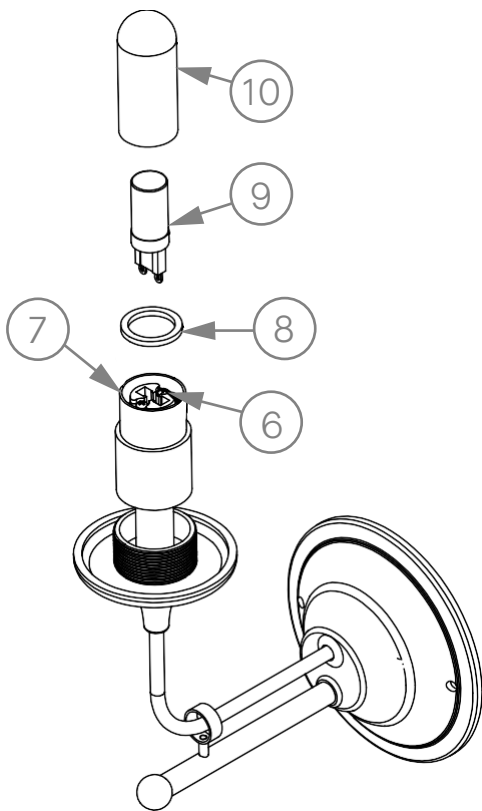
INSTALLATION INSTRUCTIONS

DAD8035, DAD8036, DAD8037



1. Unscrew nuts (5) from bracket (2). Place the bracket (2) to the wall, ensuring that the bracket is level, mark and drill the holes. Set the Rawl Plugs (1) in the wall. Level the bracket (2) and screw it to the wall with the screws (3).

2. Place the washer (11) and brass spacer (12) on the light arm fitting (4). Carefully place the shade (13) on the washer (11) and light arm fitting (4), securing it from the top with the washer (11) and nut (14).



3. Place the washer (8) in the middle of the metal cover (7). Place the G9 LED bulb (9) in the ceramic lamp holder (6). Secure the bulb with a glass cover (10) screwing it onto the ceramic lamp holder (6).

4. Connect the electrical wiring (please see diagram from page 6). Fix the light arm fitting (4) to the previously prepared bracket (2) and secure with nuts (5).

<b>WARNING! LIGHTS CAN GET HOT IN USE!</b>	<b>CLASS 1 LIGHT FITTING / IP44 RATED (240V)</b>
<b>ELECTRICAL WORK IN BATHROOMS MUST BE CARRIED OUT BY A QUALIFIED ELECTRICIAN</b>	

1. Before starting the electrical work or connecting your light, you will need to switch off your power supply at the fuse box (consumer unit).

Either the miniature circuit breaker (MCB) can be turned off for the light circuit and apply RED insulating tape over the MCB to prevent it from being accidentally turned on. Or, the main switch can be turned off, circuit fuse removed, and the main switch turned on again to restore power to the rest of the home.

2. Colour code for fixed wiring:

GREEN / YELLOW	- Earth		Live (Pre 2004 colour code) RED	
BROWN	- Live (Introduced 2004)		Live (Pre 2004 colour code) BLACK	
BLUE	- Neutral (introduced 2004)			
BLUE with BROWN sleeving	- Switch wire with sleeving (Introduced 2004)			

**NOTE:** Some luminaires may have a clear cable. In this case, the earth wire will be marked with a green/yellow thread.

3. CLASS I Luminaires (Earthed) - connect the brown wire from the luminaire to the supply live wire (red or brown). Connect the blue wire to the supply neutral wire (black or blue). Connect the green/yellow wire to the supply earth wire (green / yellow) or connect the supply earth to the luminaire earth terminal marked.

4. Fix the luminaire to mounting surface making sure that no wires are trapped or damaged. Wires must be routed away from hot metal surfaces and not laid onto the back plate.

5. Fit all grommets supplied to protect wiring from any sharp edges.

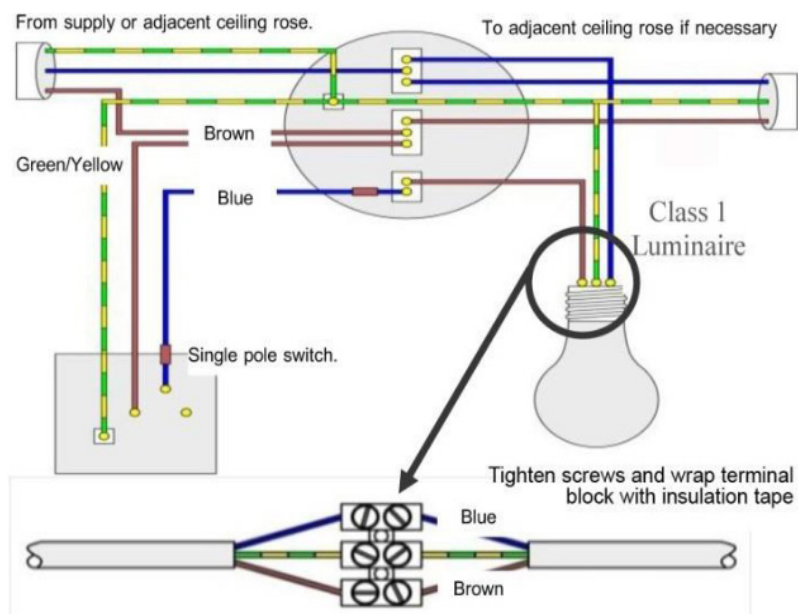
If there is insufficient space within the luminaire for a terminal block then any connections must be made in the ceiling or wall space within a connection box. If no terminal block is included, installation may require advice from a qualified electrician.

6. Fit the correct wattage and type of lamp (bulb). We recommend you turn off the power before removing the lamp. This fitting is suitable for a G9 LED bulb (not supplied). Halogen bulbs should not be used. Safety shields, where supplied MUST be used.

7. Where applicable, fix glass securely to the luminaire. If screws are used to secure the glass, ensure that the glass is not stressed by overtight screws. The screws should be finger tight. Be aware of sharp edges when handling glass and light fitting internals. Use the protective pads between glass and frame where supplied.

8. Re-connect the electricity supply and switch on.

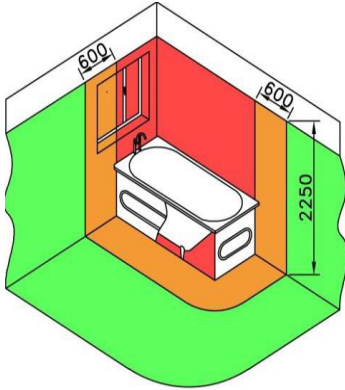
9. Luminaires marked with this symbol  must not be disposed as domestic waste. Your Civic Amenity Site will advise.



10. Guides to Bathroom Lighting Zones

**Electrical work in bathrooms must be carried out by a qualified electrician.**

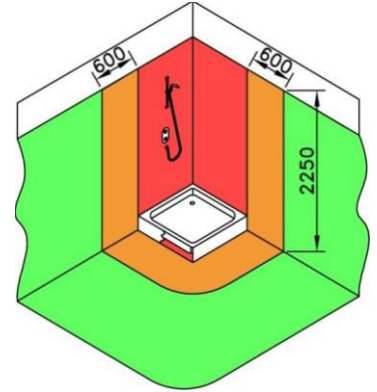
Bathrooms are divided into zones which are determined by the closeness of water and humidity and the likelihood of the light fitting getting wet. Bathroom light fittings are given an IP rating, which relates to these zones. Full details of the regulations can be found in the latest copy of the IEE Wiring Regulations.



**Bathroom Zone 0**  
 Inside of the bathtub or shower  
 (IP68 submersible) Suitable for saunas, steam rooms  
 or may be mounted under water.

**Bathroom Zone 1**  
 (IP65 water jet proof) Should be fitted where the  
 light fitting would be subjected to a jet of water, for  
 example, a shower head.

**Bathroom Zone 2**  
 (IP44) Should be fitted where the light fitting may be  
 splashed and within 600mm of a basin or a similar  
 water source.



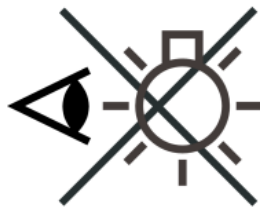
**NOTES:**

Some low voltage luminaire with toroidal (doughnut-shaped) transformers can cause the lighting circuit breaker to trip if it is too sensitive. If this happens, the miniature circuit breaker (MCB) may need to be uprated with a type 'C' MCB - check with your electrician. This is NOT a fault with the light fitting.

If the luminaire uses G9 mains lamp, for safety, replace only with a reputable branded lamp.

Luminaires with external cables, if damaged, shall be replaced by Drummonds or a qualified person to avoid a hazard. Any alterations to the luminaire or internal wiring will void the manufacturers warranty.

Do not mix switch start ballasts and High Frequency electronic ballasts on the same circuit. Improper selection, or improper use of the products and / or systems referred to and described herein or related items can cause personal injury or property damage, Drummonds Bathrooms Ltd. does not assume responsibility and disclaims liability for damage, loss, or expense arising from improper use, operation, or installation of this product.



Do NOT stare at a working light source

## CARE AND MAINTENANCE

**DAD8035, DAD8036, DAD8037**

A Drummonds' Bathroom product is designed to give you years of faultless service and, if you follow the instructions below, will continue to look stunning for many years to come. All of Drummonds' Bathroom products are guaranteed for 1 year from the date of purchase against manufacturing defects. The guarantee does not cover faults caused by incorrect installation, neglect, misuse, wear & tear, inappropriate cleaning, or damage caused by the build-up of limescale. Please see Drummonds' T&Cs for further details of the product guarantee.

## GENERAL USE

To help prevent limescale build up and water marks, all surfaces should be wiped dry after use. Only mild, nonabrasive cleaning products should be used followed by rinsing and drying with a soft cloth.

## POLISHED BRASS PRODUCTS

All of Drummonds taps and fittings are made from 100% brass, which can be supplied in a polished finish that is not lacquered. Polished brass will tarnish very quickly, especially in the bathroom where it is exposed to moisture. If you wish to maintain a shiny brass finish, regular polishing with an appropriate metal polish such as Brasso will be required.

## POLISHED CHROME AND NICKEL PRODUCTS

Wipe off any water marks after use with a soft cloth or towel. Clean on a regular basis with a mild non-abrasive bathroom cleaner, again taking care to dry the product with a soft cloth or towel. For stubborn stains, particularly in hard water areas, remove with Brasso. Nickel products will require periodic polishing with Brasso, otherwise they will develop an aged patina like silverware.

## SHOWER HEADS AND ROSES

Clean and descale on a regular basis, paying particular attention to the holes in the shower head to ensure that they do not become blocked. Remove and clean the thermostatic cartridge on a periodic basis to prevent permanent damage from limescale.

## CAST IRON BATHS AND SHOWER TRAYS

The interior of a Drummonds bath or shower tray is enamelled with dry frit vitreous enamel which is very hard wearing and durable. To maintain the soft shine on the surface of the enamel rinse the bath out after each use, making sure that you get rid of any gritty deposits, and then dry it with a soft cloth or towel. To remove marks or dirt use a non-abrasive bathroom cleaner which is safe for use on enamelled surfaces (please see the Vitreous Enamel Association website for guidance on suitable cleaners [www.vea.org.uk](http://www.vea.org.uk)). It is very important to ensure that a dripping, or leaking, tap is repaired immediately to prevent the enamel being permanently damaged.

## BATH EXTERIOR

Caring for the exterior of your bath or shower tray is dependent on the finish of your bath:

- A raw, primed, or painted exterior does not require any maintenance, other than occasional cleaning to maintain the appearance. If the exterior becomes scratched, exposing the cast iron below, it must be treated immediately with a suitable rust inhibitor, followed by a metal primer and paint finish to seal the exterior.
- A polished or lacquered exterior is a beautiful finish, but it must be treated very carefully to avoid scratching especially when moving the bath into position. If the exterior does become scratched, please call Drummonds immediately so that we can advise on the best course of action. In general use, the polished exterior should simply be wiped down with a soft clean cloth. Never use any kind of bathroom cleaner on the exterior of your bath. Care should also be taken when cleaning the floor around the bath, particularly with a skirted bath, not to allow floor cleaner to splash or rub on the bath, as it may damage the lacquer which protects the bath from rusting.

## CHINA SANITARYWARE

Clean on a regular basis with a mild, non-abrasive bathroom cleaner to prevent the buildup of dirt and limescale. Ensure that dripping taps are repaired quickly to avoid the surface of the China becoming stained.

## MARBLE VANITY BASINS

A Drummonds' marble vanity basin is a natural product which is hand polished and sealed in the factory. Clean the surface of the marble after use with a soft cloth, making sure that you dry the surface to prevent watermarks from developing on the marble. We would recommend Lithofin Easy Care which is a daily cleaner/conditioner designed for natural stones. Under no circumstances use any kind of bathroom cleaner or limescale remover on the surface of the marble. To prevent staining, it is important to ensure that any cosmetics, including shampoo, are wiped off the surface immediately.

## WOODEN LOO SEATS

Clean after use with a damp soft (non-abrasive) cloth and dry immediately. Never use a bathroom cleaner on your loo seat as this is likely to strip off the varnish invalidating the guarantee. Use a high-quality furniture wax polish occasionally such as Mylands Wax - Natural and apply in accordance with the manufacturers' instructions. Under no circumstance stand on your loo seat. Replace bumpers when perished as these can mark and stain the toilet seat.