

## TAKING DELIVERY OF YOUR PRODUCTS

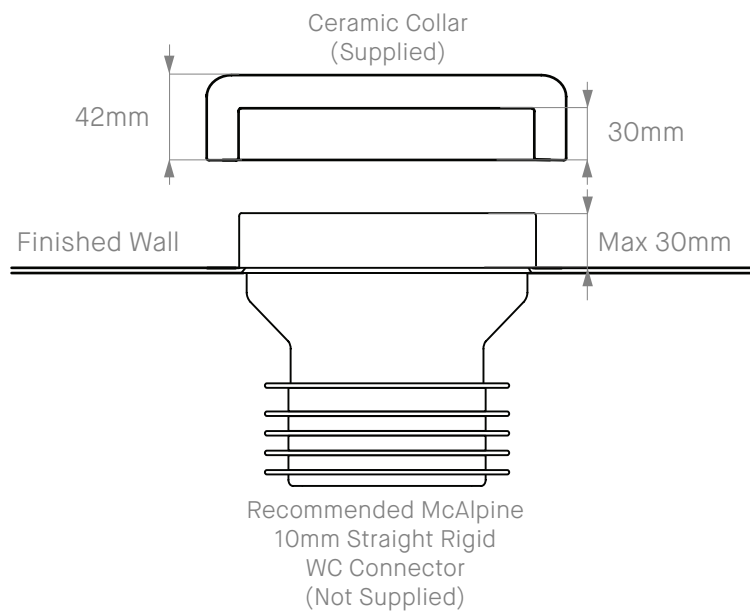
- Sign for delivery confirming the number of pallets/boxes received.
- Open boxes and crates checking that all components are included, in accordance with product drawing and delivery note.
- Check for any damage to the products that may have occurred during transportation. If there is any visible sign of damage to the crate/shipping packaging, please follow these steps:
  - I. Sign for the goods as damaged
  - II. Take pictures of the goods/damage whilst on the delivery vehicle and after unloading.
  - III. Please keep all packaging intact as this may be required for part of the claims process.
- In accordance with our terms and conditions, report in writing, any damage, or missing products within 3 working days of delivery.

## PROTECTING YOUR PRODUCTS ON SITE

- China sanitaryware should be stored in its original packaging and protected against breakage.

## FIRST FIX

- Before starting the installation, determine the correct positions of the pan, seat, cistern and 15mm feeds for the cistern. Please see WC Suite Installation Manual for more information.
- Check the position of your soil stack and type of WC suite to ensure that the correct soil pipe connector has been purchased.
- Ensure that all waste and plumbing meet local regulations.
- Recommended installation using McAlpine WCCON1 Straight Rigid WC Connector (not supplied).
- Maximum 30mm protrusion from wall / floor so that the ceramic collar covers the connector, (see below).



## INSTALLATION INSTRUCTIONS

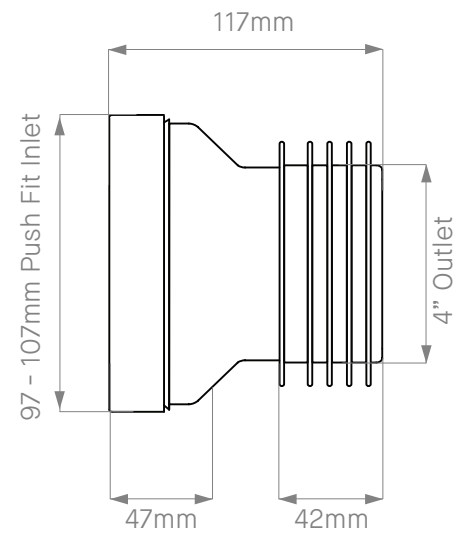
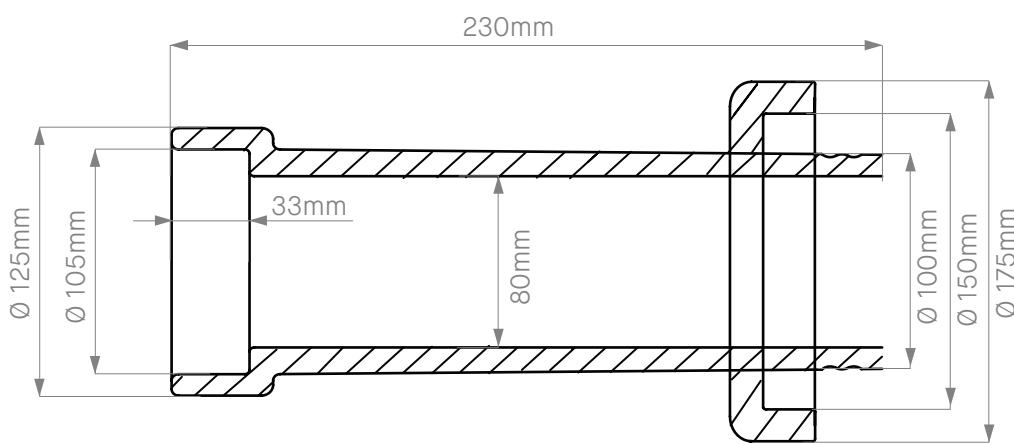
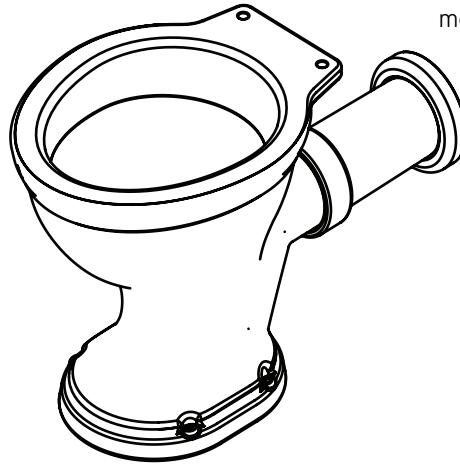
- Fit ceramic soil pipe collar over the soil pipe and push fit the narrow end of the soil pipe into the existing waste pipe / connector (not supplied).
- Fit the WC waste outlet into the large end of the soil pipe and fill the gap between the soil pipe and the pan with a suitable water proof silicon.
- Smooth any excess silicon in the join and leave to dry.
- Fix the collar to the wall or floor with silicon.
- Ensure there are no gaps in the silicon and test during final stages of WC fitting.

## Notes

- Soil pipes from the wall may require support.

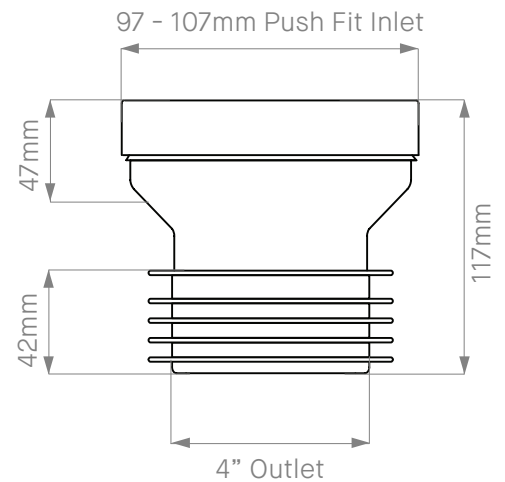
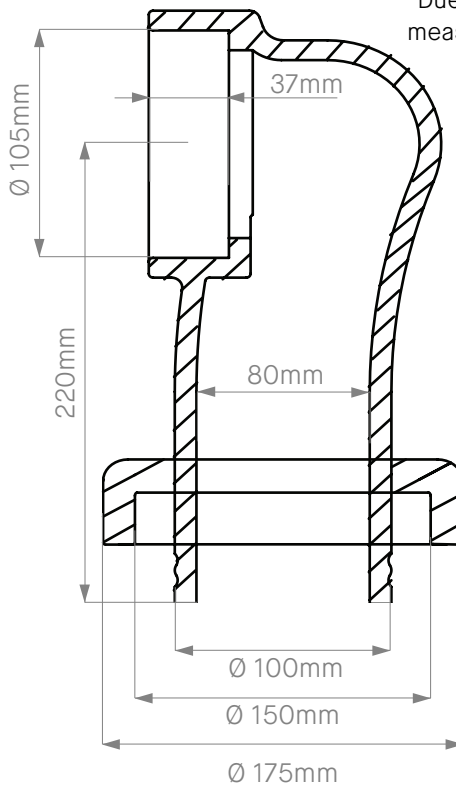
**DAD9012 STRAIGHT SOIL PIPE CONNECTOR**

Due to the handmade process of this product, measurements and weights may vary by +/- 2%



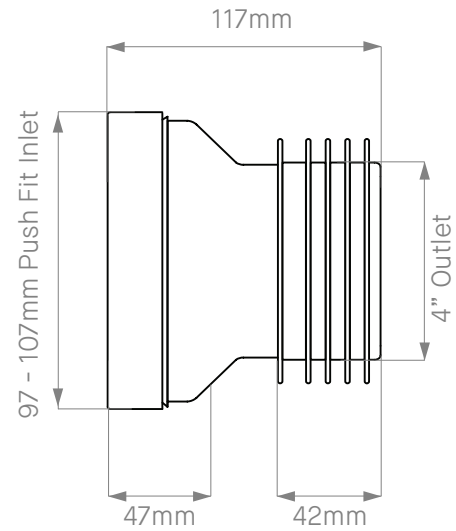
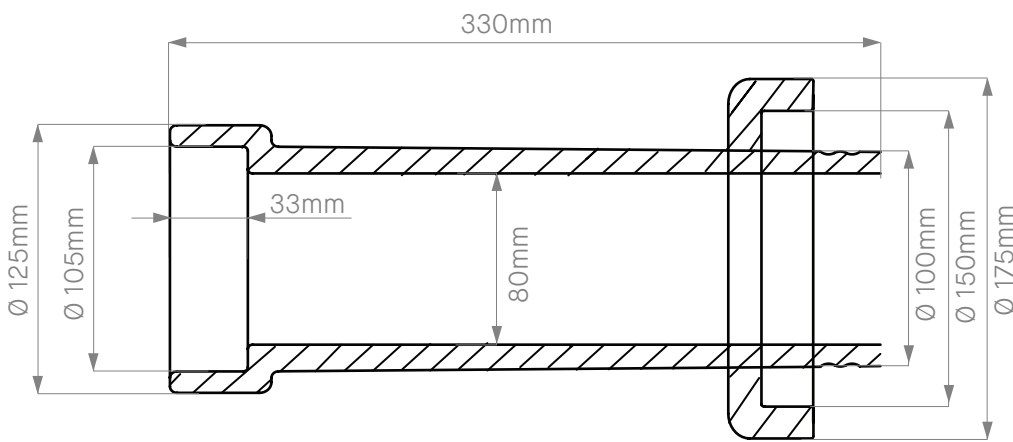
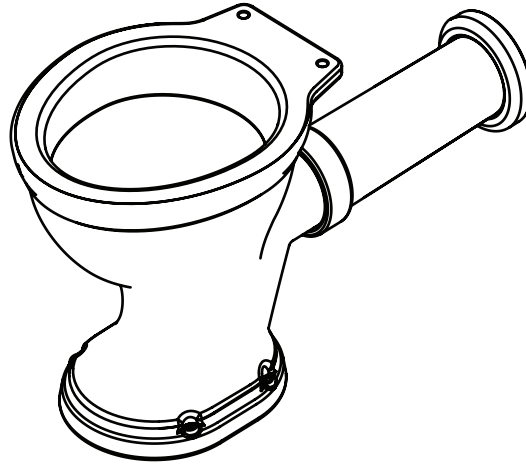
**DAD9013 90 DEGREE SOIL PIPE CONNECTOR**

Due to the handmade process of this product, measurements and weights may vary by +/- 2%



**DAD9014 EXTENDED SOIL PIPE CONNECTOR**

Due to the handmade process of this product, measurements and weights may vary by +/- 2%



**CARE AND MAINTENANCE**

**CHINA SANITARYWARE**

Clean on a regular basis with a mild, non abrasive bathroom cleaner to prevent the buildup of dirt and limescale. Please ensure that any water drops or leaks are repaired quickly to avoid the surface of the china becoming stained.