

Versions  
Standard Version: Pages 3 to 6  
US Version: Pages 7 to 10

## TAKING DELIVERY OF YOUR PRODUCTS

- Sign for delivery confirming the number of pallets/boxes received.
- Open boxes and crates checking that all components are included, in accordance with product drawing and delivery note.
- Check for any damage to the products that may have occurred during transportation.
- If there is any visible sign of damage to the crate/shipping packaging, please follow these steps:
  - I. Sign for the goods as damaged
  - II. Take pictures of the goods/damage whilst on the delivery vehicle and after unloading.
  - III. Please keep all packaging intact as this may be required for part of the claims process.
- In accordance with our terms and conditions, report in writing, any damage, or missing products within 3 working days of delivery.

## PROTECTING YOUR PRODUCTS ON SITE

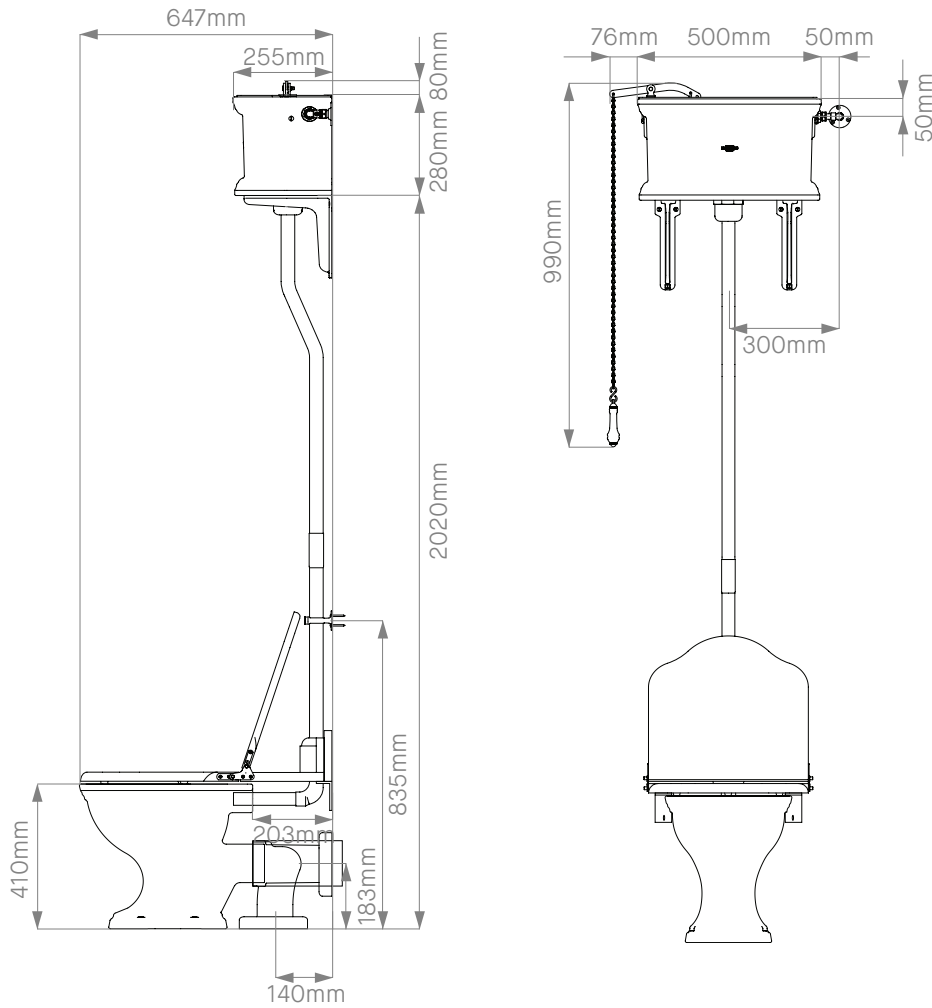
- Upon delivery of your order, please ensure that all items are inspected, clean and dry at normal room temperature before returning to original packaging, until installation.
- China sanitaryware should be protected against breakage.
- Please follow the care instructions if you need to clean the products, being careful not to use any abrasive or chemical cleaners.

## PREPARING FOR INSTALLATION

- You will need to ensure that you have sufficient people on site to help with the careful lifting of the product.
- All water fittings should be installed by a qualified plumbing engineer and comply with the current water regulations. Products and connections should remain accessible for routine maintenance. We recommend that isolation and non-return valves are fitted in all installations where appropriate.
- Please read and follow the installation instructions carefully for each product and check that you have all of the components and tools required to carry out correct installation.
- Polished and plated surfaces are particularly prone to damage from dirty and incorrect tools; spanners should be suitably lined to prevent damage to plated surfaces.
- When using a sealant, only a suitable neutral curing sealant should be used.
- After installation, please ensure that the product is operating correctly and is clean (in accordance with the Care & Maintenance instructions below) and protected until completion of all works in the property.
- To avoid damage to internal mechanisms and cartridges, flush your existing hot and cold water systems to ensure there is no debris or dirt in existing pipework, prior to commencing installation.
- For optimal performance, copper pipework should be used for all supply pipes to Drummonds' showers. It may be possible for flexible connections to be used, however this can reduce the flow rate and overall performance. Please see our flow rate and troubleshooting guides for more information.

## YOUR CHOSEN FINISH

- Finished in one of brassware finishes. We do not lacquer our brassware, allowing the live surface to age and wear naturally in the traditional way. The speed of change will be dependent on the environment (heat and moisture). Please see the 'Bespoke Special Finish' section on our website for more information.



PLEASE NOTE:

Due to the handmade processes of manufacturing, measurements and weights may vary +/- 2%.

SUPPLIED SEPARATELY

- DAD3062 - Cistern Pipework Set
- DAD1508 - Throne Loo Seat
- DAD9012 - Ceramic Soil Pipe Into Wall
- DAD9013 - Ceramic Soil Pipe into Floor

PRODUCT WEIGHTS

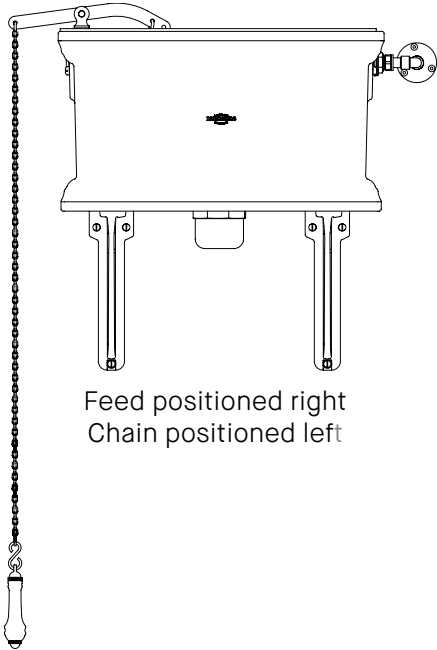
- Cistern (empty) - 15kg
- Cistern (filled) - 24kg
- Cistern Brackets - 3kg

EXTERNAL FLUSH CAPACITIES

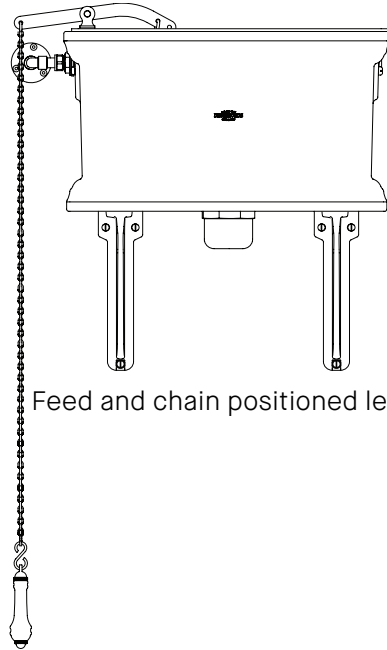
- Full Flush - 6L
  - Reduced Flush - 4L
- (Hold pull handle down to activate Reduced Flush)

CISTERN HEIGHT

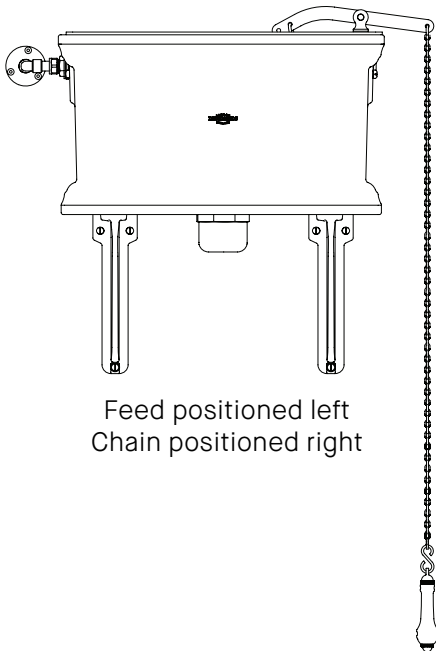
- 2020mm minimum
- Overall WC Height: 2380mm
- or
- 2100mm maximum
- Overall WC Height: 2460mm



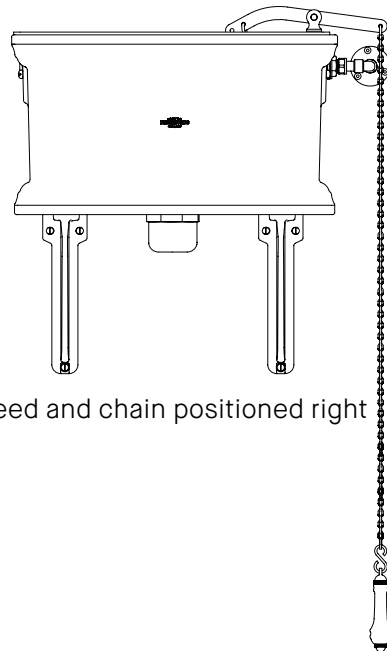
Feed positioned right  
Chain positioned left



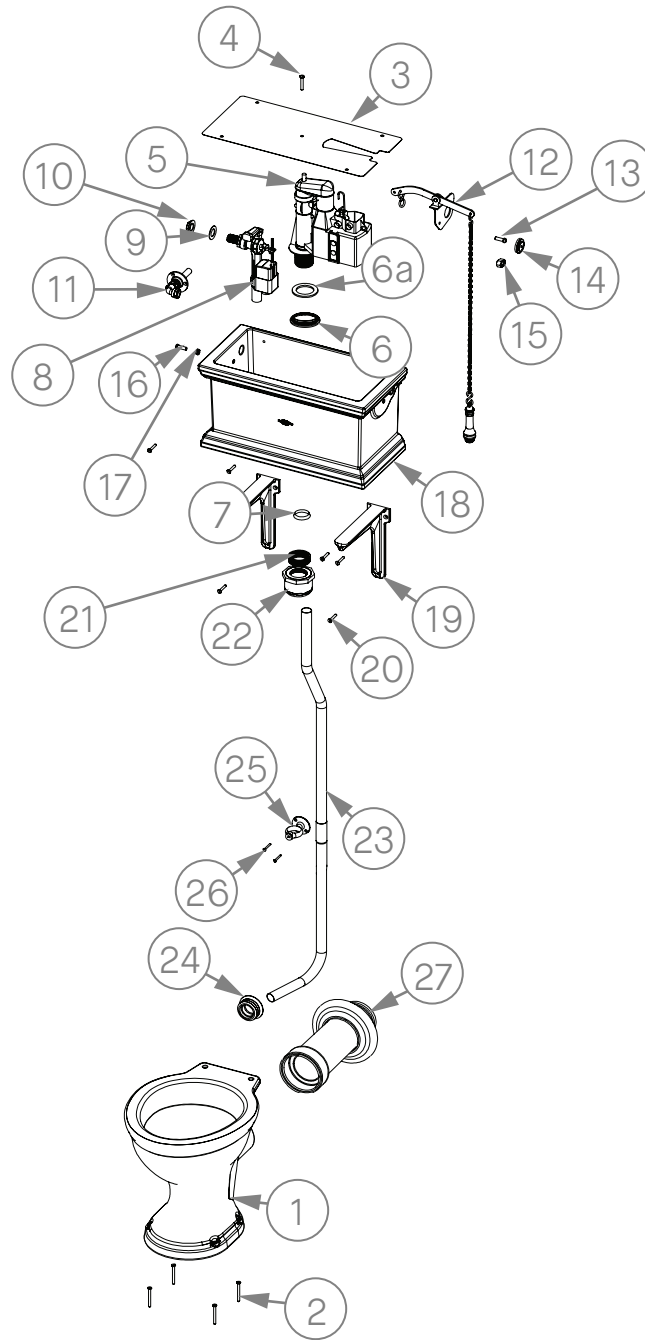
Feed and chain positioned left



Feed positioned left  
Chain positioned right



Feed and chain positioned right

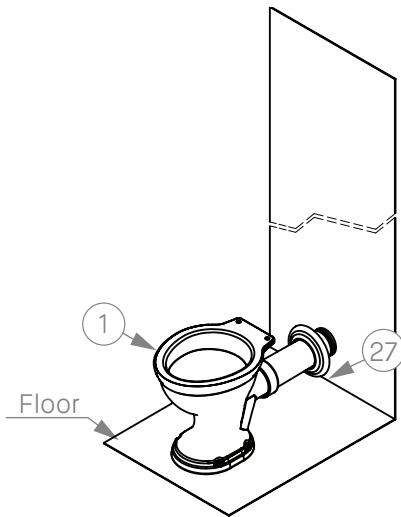


#	COMPONENT	QTY
1	Dunnett WC Pan	1
2	Screws 12x 2-1/2" (DAF113)	4
3	Lid	1
4	Bolt M6x40	1
5	7" Syphon (DAD1194)	1
6	Brora Adaptor Seal (DAF144)	1
6a	Rubber Washer (please discard)	1
7	Rubber Olive	1
8	Float Valve (DAF053)	1
9	Washer	1
10	Nut	1

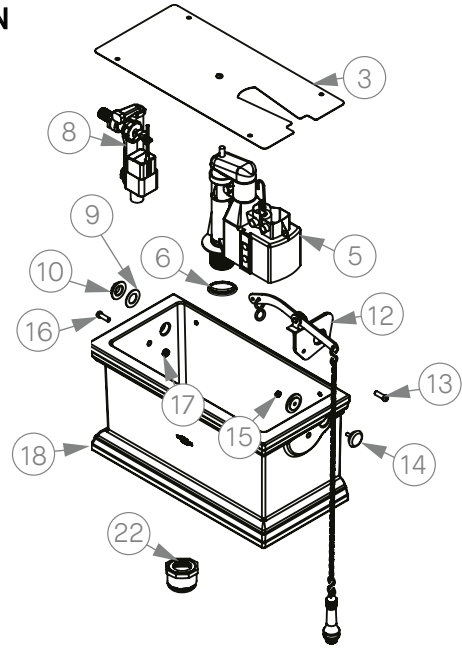
11	Cistern Pipework Set (DAD3062) Sold Separately	
12	Pull & Chain Mechanism	1
13	Mechanism Bolt	1
14	Cistern Blanking Disc & Washer	1
15	Blanking Disc Nut	1
16	Blanking Bolt	1
17	Nut	1
18	High Level Cistern	1
19	Cistern Brackets	2
20	Screw 12x 1-1/2" (DAF112)	6
21	Compression Nut	1
22	Nut Cover	1
23	High Level Flush Pipe	1

24	Flush Pipe Cone (DAD1254)	1
*25	Flush Pipe Wall Clip	1
26	Screw 8x 1-1/2" (DAF109)	2
27	Soil Pipe (Sold Separately)	1

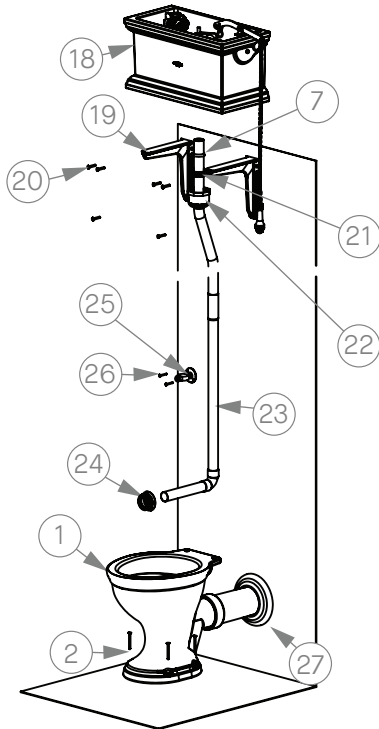
\* Flush Pipe Wall Clip is supplied with a black buffer as standard. When installing a White Loo Seat, please swap the black buffer for a white buffer (supplied).



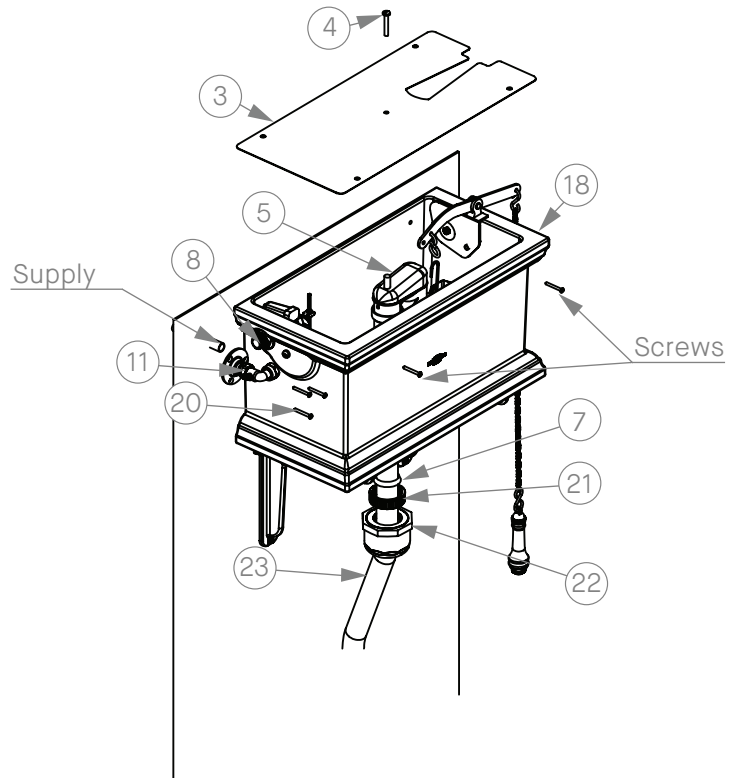
1. During first fix, install cistern feed using pipework set (sold separately) ensuring that the height of soil pipe and cistern feed is in accordance with the technical drawing. Set Dunnett WC Pan (1) in the desired position on the floor (do not secure the pan to the floor at this stage) and ensure that it is in accordance with the technical drawing and your chosen soil pipe (27).



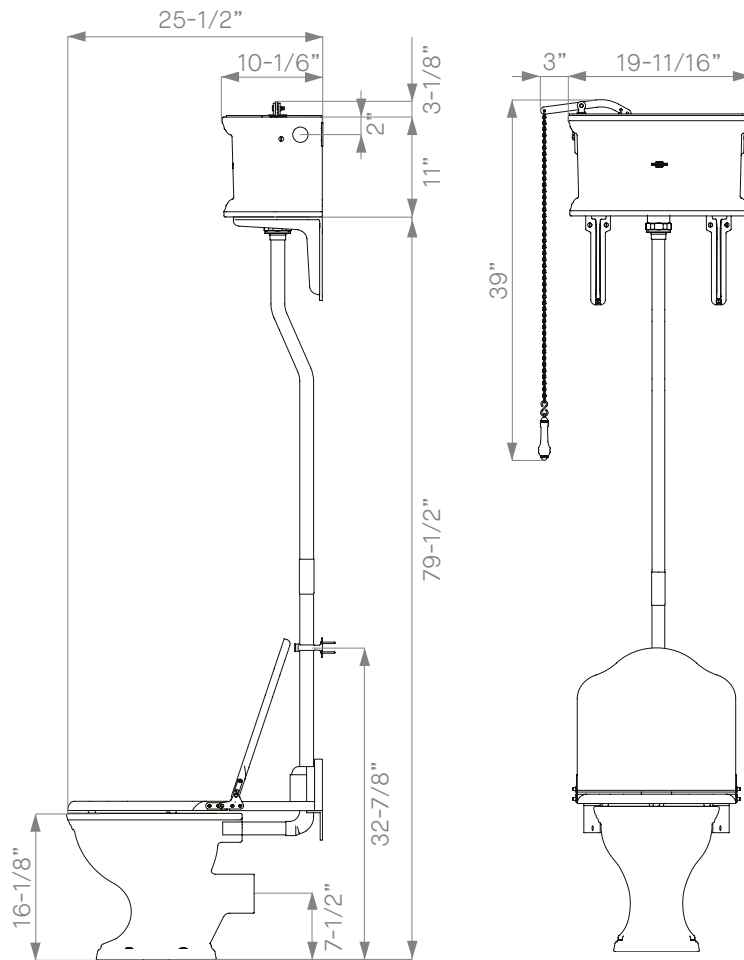
2. Take lid (3) off the cistern (18). Put Brora adaptor seal (6) on syphon (5) install inside of cistern then place and tighten backnut from nutcover (22) underneath. Screw pull and chain mechanism (12) to cistern (18) using mechanism bolt (13). Secure float valve (8) to cistern (18) using washer (9) and nut (10). Blank the 2 remaining holes using cistern blanking disc and washer (14 & 15) and nut (16 & 17).  
NOTE: Pull chain and float valve can be connected on either side of cistern.



3. Determine height of cistern (18) and ensure it is in accordance with the technical drawing. Screw cistern brackets (19) to wall using screws (20) and place cistern (18) onto brackets (19). Push flush pipe cone (24) on flush pipe (23). Check position of the flush pipe clip (25) in relation to Throne Loo Seat Lid and fix high level flush pipe (23) to wall using flush pipe wall clip (25) and screws (26). Put nut cover (22), compression nut (21) and rubber olive (7) on flush pipe (23). Install flush pipe (23) with flush pipe cone (24) onto Dunnett WC pan (1). Seal the joint between top and bottom half of flush pipe with silicone if required. Connect soil pipe (27) to waste in wall and connect to Dunnett WC pan (1). Check measurements and fix pan (1) to floor with screws (2). Fix cistern to wall with screws (not supplied).



4. Connect flush pipe (23) to syphon (5) and secure with olive (7), compression nut (21) and nut cover (22). Secure cistern (18) to wall using suitable brass screws (not supplied). Do not overtighten as it may damage the cistern. Connect cistern pipework set (11) to float valve (8) with screws (20). Test the flush and check for leaks. Place lid (3) on the cistern (18) and secure with bolt (4) into syphon (5).



PLEASE NOTE:

Due to the handmade processes of manufacturing, measurements and weights may vary +/- 2%.

SUPPLIED SEPARATELY

DAD3062 - Cistern Pipework Set

DAD1508 - Throne Loo Seat

PRODUCT WEIGHTS

Cistern (empty) - 15kg

Cistern (filled) - 24kg

Cistern Brackets - 3kg

WATER CONSUMPTION

5.65L / 1.49Gal

CISTERN HEIGHT

79-1/2" minimum

Overall WC height: 93-11/16"

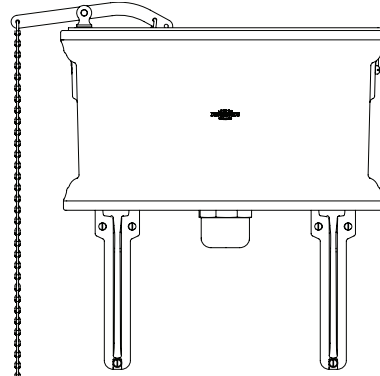
or

82-11/16 maximum

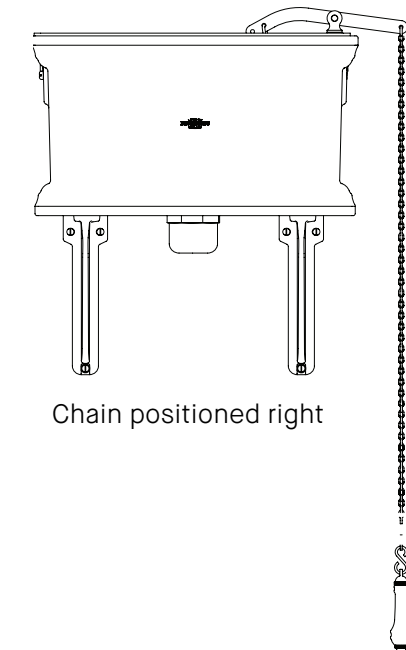
Overall WC Height: 96-7/8"

For spares & technical support,  
contact

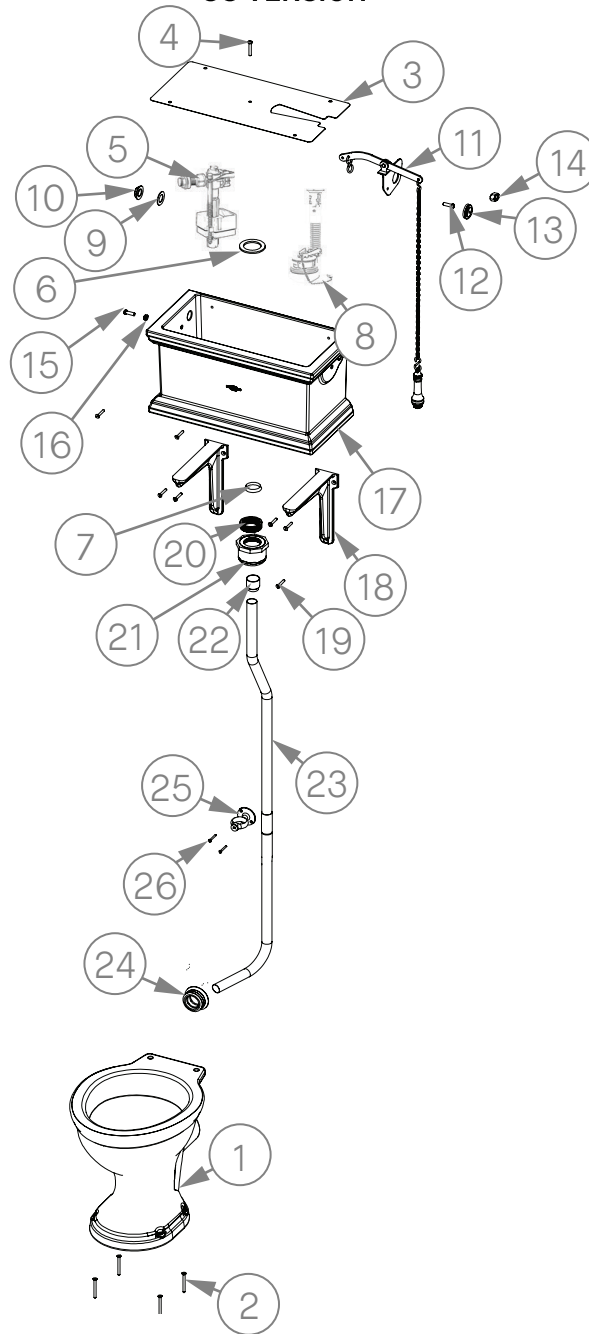
customerservice@drummonds-uk.com or tel. +44 1483 237 202



Chain positioned left

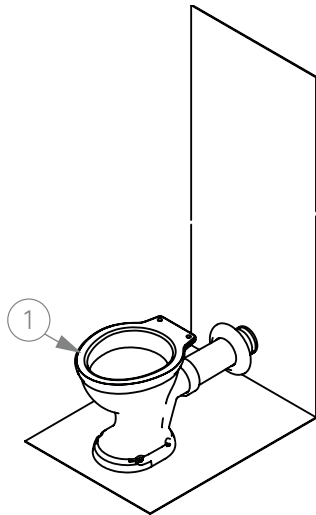


Chain positioned right

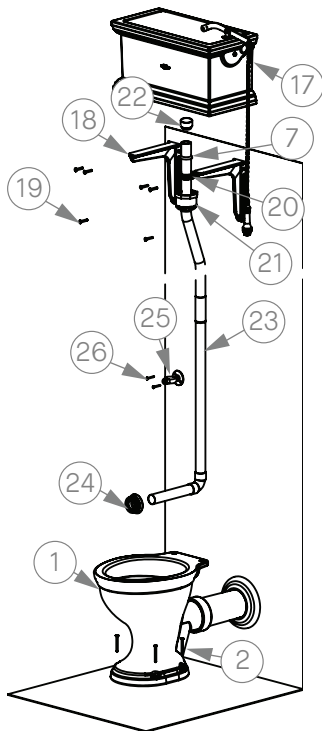


#	COMPONENT	QTY	13	Cistern Blanking Disc & Washer	1
1	Dunnett WC Pan	1	14	Nut	1
2	Screws 12x 2-1/2" (DAF113)	4	15	Blanking Disc Nut	1
3	Lid	1	16	Blanking Bolt	1
4	Bolt M6x40	1	17	High Level Cistern	1
5	Fluidmaster PRO75B Side Entry Fill Valve with Brass Shank (DAF141)	1	18	Cistern Brackets	2
6	Rubber Washer	1	19	Screw 12x 1-1/2" (DAF112)	6
7	Rubber Olive	1	20	Compression Nut	1
8	US Fluidmaster Flush Valve (DAF142)	1	21	Nut Cover	1
9	Washer	1	22	Flush Pipe Sleeve	1
10	Nut	1	23	High Level Flush Pipe	1
11	Pull & Chain Mechanism	1	24	Flush Pipe Cone (DAD1254)	1
12	Mechanism Bolt	1	*25	Flush Pipe Wall Clip	1
			26	Screw 8x 1-1/2" (DAF109)	2

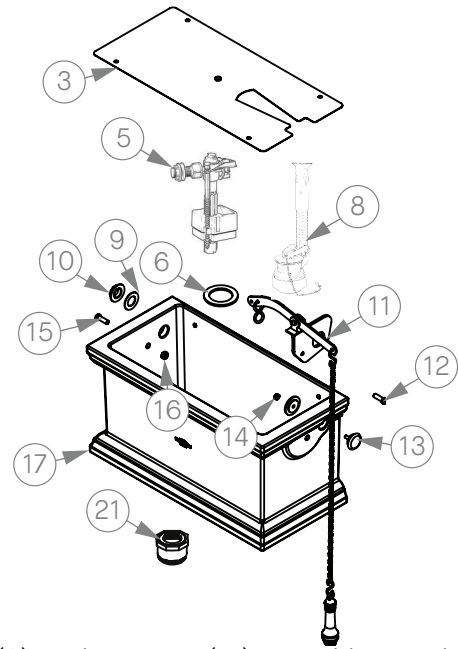
\* Flush Pipe Wall Clip is supplied with a black buffer as standard.  
When installing a White Loo Seat, please swap the black buffer for a white buffer (supplied).



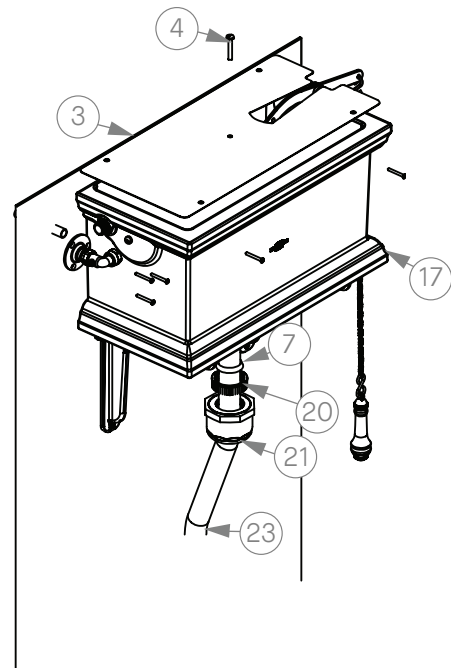
1. During first fix, install cistern feed using a pipework set (not supplied) ensuring that the height of soil pipe (not supplied) and cistern feed is in accordance with the technical drawing. Set Dunnett WC Pan (1) in the desired position on the floor (do not secure the pan to the floor at this stage) and ensure that it is in accordance with the technical drawing.



3. Determine height of cistern (17) and ensure it is in accordance with the technical drawing. Screw cistern brackets (18) to wall using screws (19) and place cistern (17) onto brackets (18). Push flush pipe cone (24) on flush pipe (21). Check position of flush pipe wall clip (25) in relation to Throne Loo Seat Lid and fix high level flush pipe (23) to wall using flush pipe wall clip (25) and screws (26). Put nut cover (21), compression nut (20) and rubber olive (7) on flush pipe (23) with flush pipe sleeve (22). Install flush pipe (23) with flush pipe cone (24) onto Dunnett WC pan (1). Seal the joint between top and bottom half of flush pipe with silicone if required. Connect soil pipe (not supplied) to waste in wall and connect to Dunnett WC pan (1). Check measurements and fix pan (1) to floor with screws (2). Fix cistern to wall with screws (not supplied).



2. Take lid (3) off the cistern (17). Put rubber washer (6) on the toilet flush (8) install inside of cistern and tighten back-nut from nutcover (21) underneath. Screw pull and chain (11) to cistern (17) using mechanism bolt (12). Secure side entry fill valve (5) to cistern (17) using washer (9) and nut (10). Blank holes on opposite side using cistern blanking disc and washer (13) nut (14), blanking disc nut and blanking bolt (15 & 16). NOTE: Pull chain and float valve can be connected on either side of cistern.



4. Connect flush pipe (23) to US Fluidmaster Flush Valve (8) and secure with rubber olive (7), compression nut (20) and nut cover (21). Secure cistern (17) to wall using suitable brass screws (not supplied). Do not overtighten as it may damage the cistern. Connect feed (pipework set (not supplied) to Fluidmaster PRO75B Side Entry Fill Valve (5). Test the flush and check for leaks, Place lid (3) on the cistern (17) and secure with bolt (4).

## CARE AND MAINTENANCE

A Drummonds' Bathroom product is designed to give you years of faultless service and, if you follow the instructions below, will continue to look stunning for many years to come. All of Drummonds' Bathroom products are guaranteed for 1 year from the date of purchase against manufacturing defects. The guarantee does not cover faults caused by incorrect installation, neglect, misuse, wear & tear, inappropriate cleaning, or damage caused by the build-up of limescale. Please see Drummonds' T&Cs for further details of the product guarantee.

## GENERAL USE

To help prevent limescale build up and water marks, all surfaces should be wiped dry after use. Only mild, nonabrasive cleaning products should be used followed by rinsing and drying with a soft cloth.

## POLISHED BRASS PRODUCTS

All of Drummonds taps and fittings are made from 100% brass, which can be supplied in a polished finish that is not lacquered. Polished brass will tarnish very quickly, especially in the bathroom where it is exposed to moisture. If you wish to maintain a shiny brass finish, regular polishing with an appropriate metal polish such as Brasso will be required.

## POLISHED CHROME AND NICKEL PRODUCTS

Wipe off any water marks after use with a soft cloth or towel. Clean on a regular basis with a mild non-abrasive bathroom cleaner, again taking care to dry the product with a soft cloth or towel. For stubborn stains, particularly in hard water areas, remove with Brasso. Nickel products will require periodic polishing with Brasso, otherwise they will develop an aged patina like silverware.

## SHOWER HEADS AND ROSES

Clean and descale on a regular basis, paying particular attention to the holes in the shower head to ensure that they do not become blocked. Remove and clean the thermostatic cartridge on a periodic basis to prevent permanent damage from limescale.

## CAST IRON BATHS AND SHOWER TRAYS

The interior of a Drummonds bath or shower tray is enamelled with dry frit vitreous enamel which is very hard wearing and durable. To maintain the soft shine on the surface of the enamel rinse the bath out after each use, making sure that you get rid of any gritty deposits, and then dry it with a soft cloth or towel. To remove marks or dirt use a non-abrasive bathroom cleaner which is safe for use on enamelled surfaces (please see the Vitreous Enamel Association website for guidance on suitable cleaners [www.vea.org.uk](http://www.vea.org.uk)). It is very important to ensure that a dripping, or leaking, tap is repaired immediately to prevent the enamel being permanently damaged.

## BATH EXTERIOR

Caring for the exterior of your bath or shower tray is dependent on the finish of your bath:

- A raw, primed, or painted exterior does not require any maintenance, other than occasional cleaning to maintain the appearance. If the exterior becomes scratched, exposing the cast iron below, it must be treated immediately with a suitable rust inhibitor, followed by a metal primer and paint finish to seal the exterior.
- A polished or lacquered exterior is a beautiful finish, but it must be treated very carefully to avoid scratching especially when moving the bath into position. If the exterior does become scratched, please call Drummonds immediately so that we can advise on the best course of action. In general use, the polished exterior should simply be wiped down with a soft clean cloth. Never use any kind of bathroom cleaner on the exterior of your bath. Care should also be taken when cleaning the floor around the bath, particularly with a skirted bath, not to allow floor cleaner to splash or rub on the bath, as it may damage the lacquer which protects the bath from rusting.

## CHINA SANITARYWARE

Clean on a regular basis with a mild, non-abrasive bathroom cleaner to prevent the buildup of dirt and limescale. Ensure that dripping taps are repaired quickly to avoid the surface of the China becoming stained.

## MARBLE VANITY BASINS

A Drummonds' marble vanity basin is a natural product which is hand polished and sealed in the factory. Clean the surface of the marble after use with a soft cloth, making sure that you dry the surface to prevent watermarks from developing on the marble. We would recommend Lithofin Easy Care which is a daily cleaner/conditioner designed for natural stones. Under no circumstances use any kind of bathroom cleaner or limescale remover on the surface of the marble. To prevent staining, it is important to ensure that any cosmetics, including shampoo, are wiped off the surface immediately.

## WOODEN LOO SEATS

Clean after use with a damp soft (non-abrasive) cloth and dry immediately. Never use a bathroom cleaner on your loo seat as this is likely to strip off the varnish invalidating the guarantee. Use a high-quality furniture wax polish occasionally such as Mylands Wax - Natural and apply in accordance with the manufacturers' instructions. Under no circumstance stand on your loo seat. Replace bumpers when perished as these can mark and stain the toilet seat.