

1 2 3 4 5 6 7 8

A

A

B

B

C

C

D

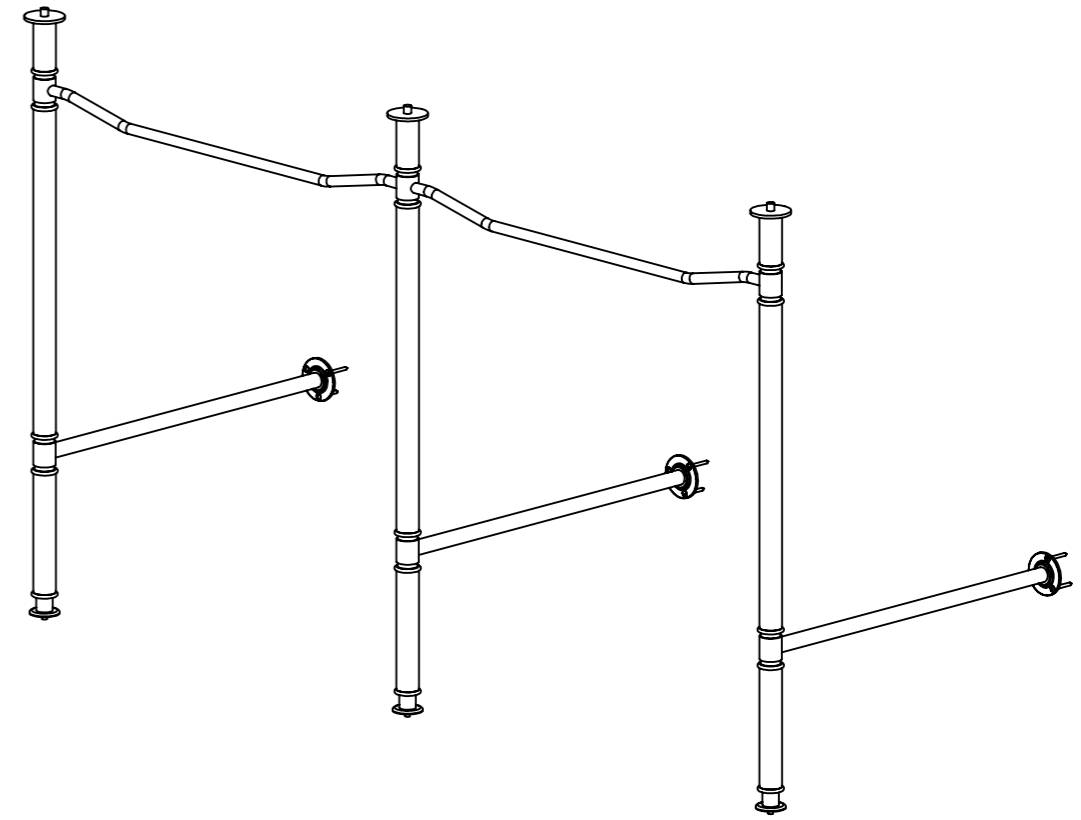
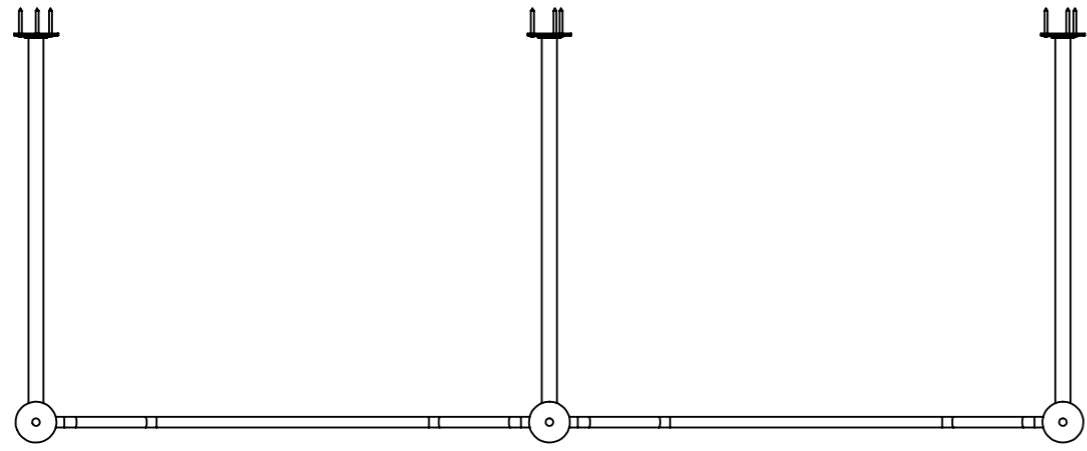
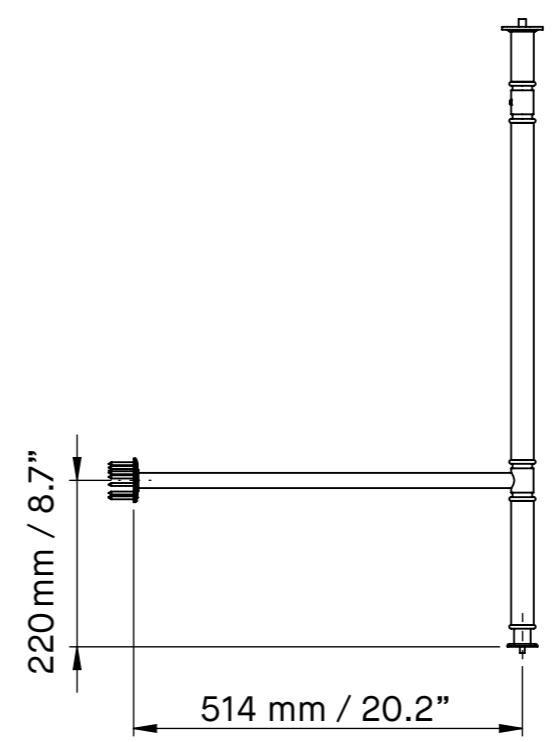
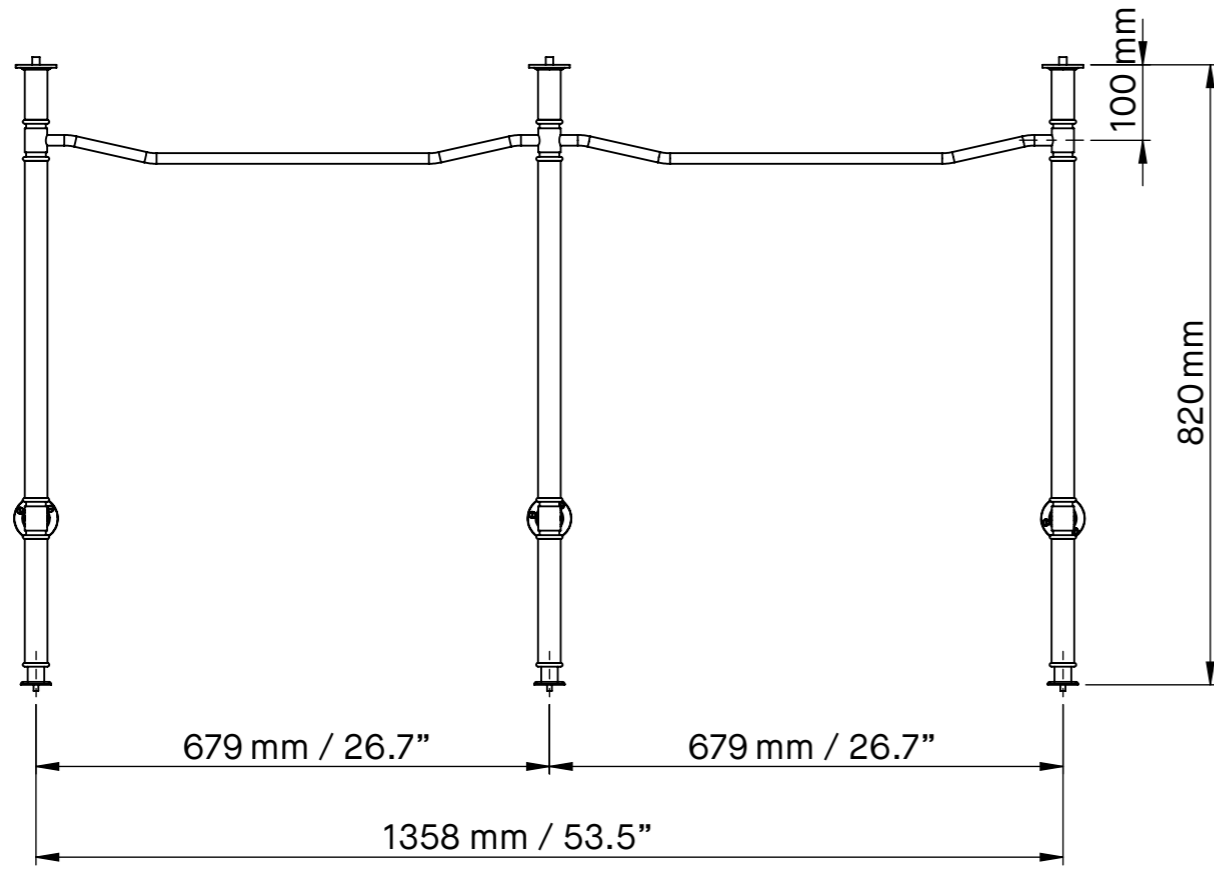
D

E

E

F

F



 DRUMMONDS <small>LONDON · ENGLAND</small>	DAD9085	01	2015-07-06
	PRODUCT CODE	VERSION	DATE

1 2 3